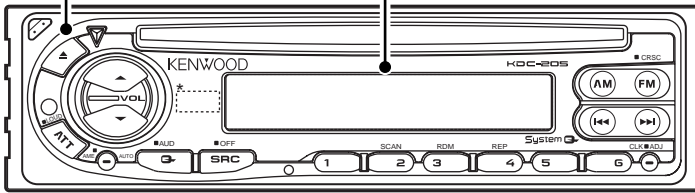


KDC-205/205CR KDC-226 KDC-2026 KDC-3026/3026R SERVICE MANUAL

CD mechanism extension cord (22PIN) : W05-0618-00

Panel assy
KDC-205 (A64-3149-02)
KDC-205CR (A64-3304-02)

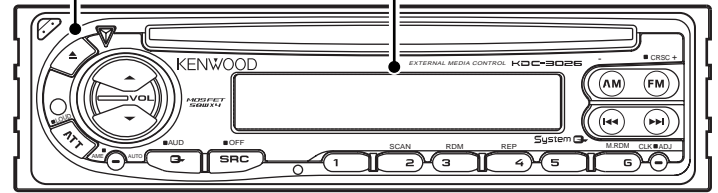
Front glass
KDC-205 (B10-4443-01)
KDC-205CR (B10-4547-01)



* KDC-205 * KDC-205CR
MOSFET
50W X4

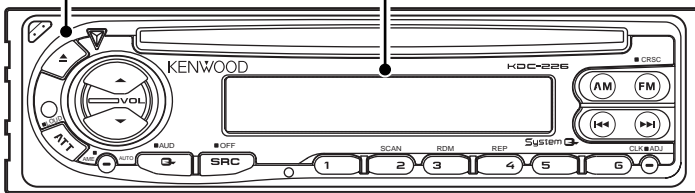
Panel assy
KDC-2026 (A64-3163-02)
KDC-3026 (A64-3162-02)

Front glass
KDC-2026 (B10-4457-01)
KDC-3026 (B10-4456-01)



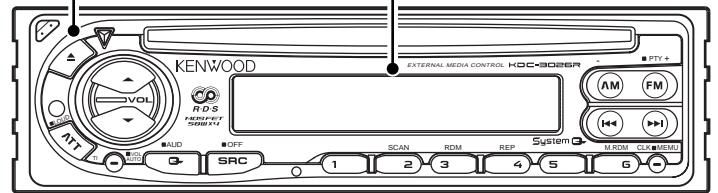
Panel assy
KDC-226 (A64-3164-02)

Front glass
KDC-226 (B10-4458-01)

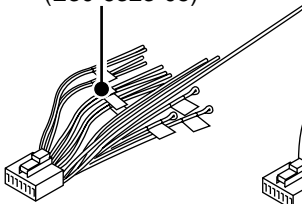


Panel assy
KDC-3026R (A64-3161-02)

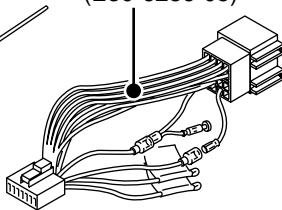
Front glass
KDC-3026R (B10-4455-01)



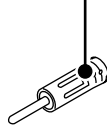
* DC cord
(E30-6322-05)
(E30-6323-05)



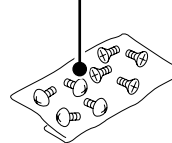
* DC cord
(E30-6132-05)
(E30-6286-05)



* Antenna adaptor
(T90-0523-05)



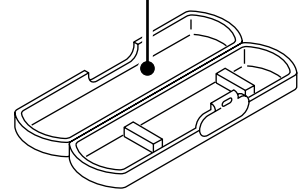
Screw set
(N99-1719-05)



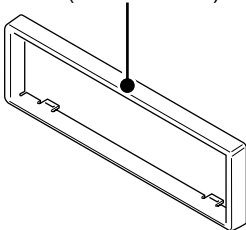
Screw
(N84-4016-46)



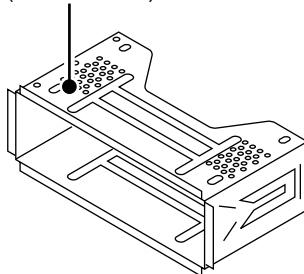
Plastic cabinet assy
(A02-1486-13)



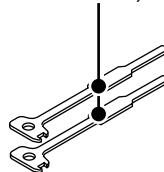
* Escutcheon
(B07-3097-02)
(B07-3098-02)



Mounting hardware assy
(J21-9716-03)



Lever
(D10-4589-04) x 2



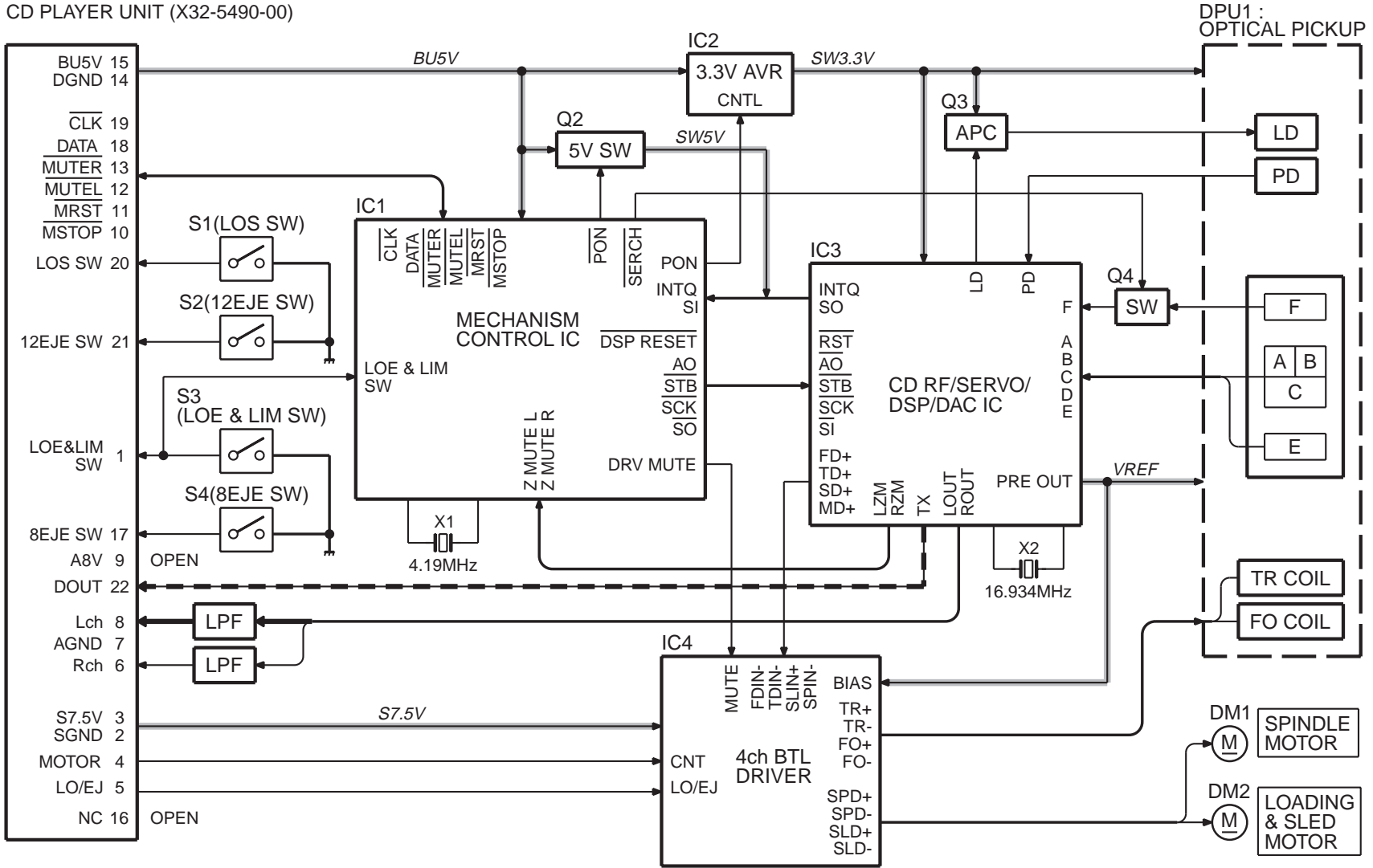
TDF PANEL INFORMATION

| MODEL | PARTS NO. | PANEL NAME |
|-----------|-------------|------------|
| KDC-205 | Y33-1950-60 | TDF-41D |
| KDC-205CR | Y33-1950-61 | TDF-41DCR |
| KDC-226 | Y33-1950-65 | TDF-226 |
| KDC-2026 | Y33-1950-64 | TDF-2026 |
| KDC-3026 | Y33-1950-63 | TDF-3026 |
| KDC-3026R | Y33-1950-62 | TDF-3026R |

* Depends on model. Refer to the parts list.



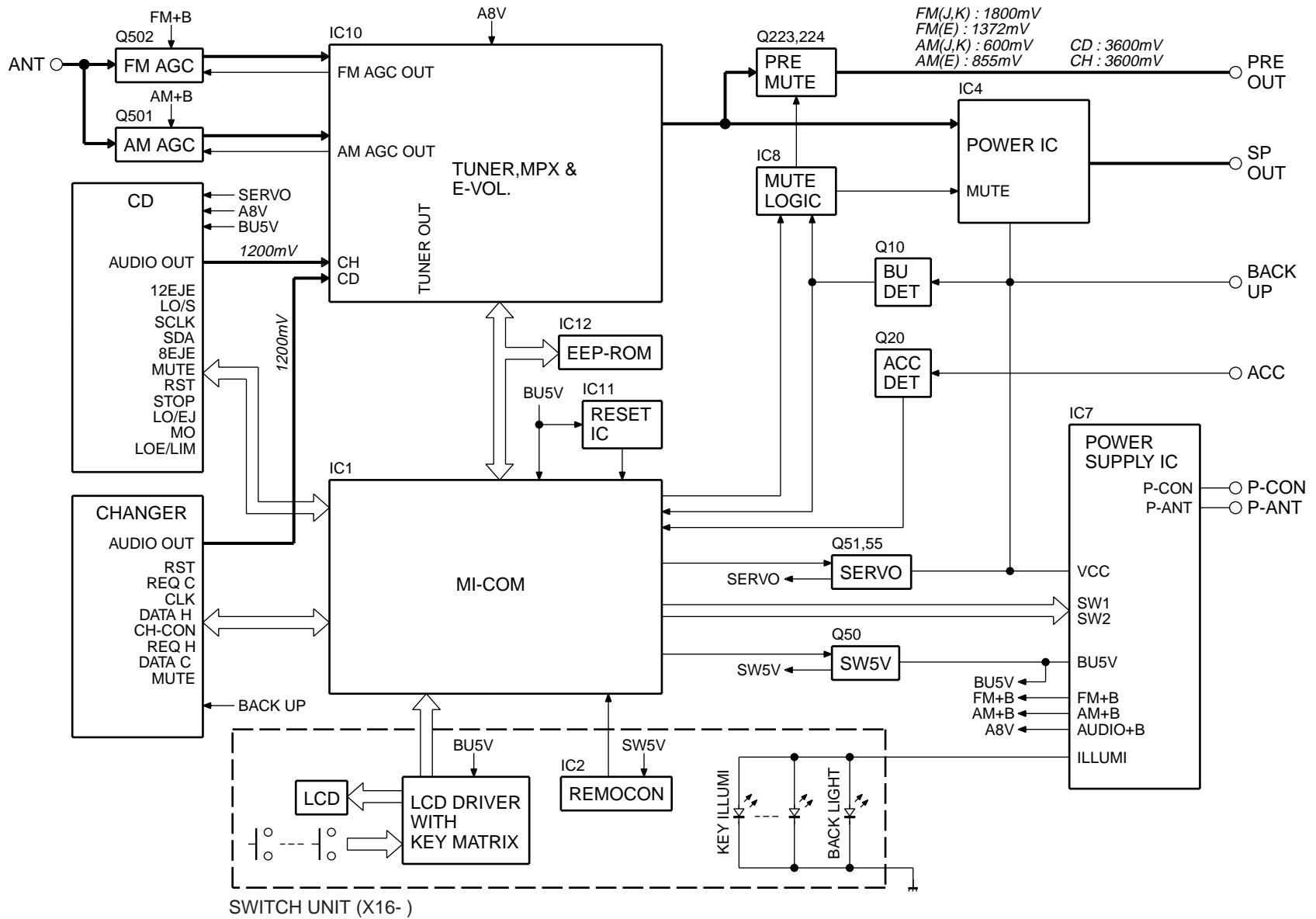
CD PLAYER UNIT (X32-5490-00)



BLOCK DIAGRAM

KDC-205/CR, 226
KDC-2026, 3026/R

ELECTRIC UNIT (X34-)



BLOCK DIAGRAM

KDC-205/CR, 226
KDC-2026, 3026/R

COMPONENTS DESCRIPTION

● SWITCH UNIT (X16-2460-21/2470-xx)

| Ref No. | Application/Functions | Operation/Condition/Compatibility |
|---------|-----------------------|---|
| IC1 | LCD driver | LCD derive & Key input interface |
| IC2 | Sensor | Remote control sensor |
| Q1 | Key scan detect | key scan start at base gose "L". |
| Q2 | LED SW | When Q2 base gose "H" LED is light on RED Color |
| Q3 | LED SW | When Q2 base gose "H" LED is light on GREEN Color |

● CD PLAYER UNIT (X32-5490-00)

| Ref No. | Application/Functions | Operation/Condition/Compatibility |
|---------|-----------------------|--|
| IC1 | Mechanism control | When BU5V & MSTOP (12pin) goes "H" (IC1 is active) |
| IC2 | SW3.3V AVR | When CNTL (1pin) goes "H" (SW3.3V AVR : ON) |
| IC3 | CD DSP & servo IC | CD RF amp, Servo, DSP & DAC |
| IC4 | BTL driver | Focus, tracking coil, Sled & Spindle motor driver IC |
| Q2 | SW | SW5V SW transistor |
| Q3 | APC | Auto Power Control |
| Q4 | SW | EQ SW transistor |

● ELECTRIC UNIT (X34-3100-21/3110-xx)

| Ref No. | Application/Functions | Operation/Condition/Compatibility |
|----------|-----------------------------|--|
| IC1 | System control IC | System control microprocessor |
| IC4 | Audio power IC | Audio power amplifier |
| IC6 | RDS decoder | RDS decoder IC |
| IC7 | Power supply IC | Multi AVR IC (for 5V, 8V, P-CON & P-ANT) |
| IC8 | Muting logic IC | Control for MUTE, P-ANT & RESET muting |
| IC10 | E-VOL & tuner IC | E-VOL. FM/AM tuner & stereo decoder |
| IC11 | Reset IC | When BU5V line voltage is less than 3.5V, this IC output line is "L" |
| IC12 | E2PROM | Memorized tuner adjustment data (save & load) |
| Q10 | BU detector | When the base goes "H" during BU applied (ON) |
| Q20 | ACC detector | When the base goes "H" during ACC applied (ON) |
| Q40 | Muting driver foe Q223, 224 | When the base goes "L" (Muting : ON) |
| Q50 | SW5V | When the base goes "L" (SW5V : ON) |
| Q51 | SW | Control SW for IC7 |
| Q53 | Control SW for SERVO +B | When the base goes "H" (Servo +B : ON) |
| Q55 | SERVO +B AVR | Servo AVR (7.4V) |
| Q70 | Serge detector | When the base goes "H" (Serge detection) |
| Q101 | DSI illumination SW | When the base goes "L" (DSI illumination : ON) |
| Q102 | Panel 5V SW | When the base goes "L" (Panel 5V : ON) |
| Q201 | Noise buffer | Tuner audio noise buffer amplifier |
| Q223,224 | Preout muting SW | When the base goes "H" (Preout muting : ON) |
| Q251 | SW | When the base goes "L" (IC4 : ON) |
| Q252 | Smeter RC & MPHTHC SW | RC & TC is "LONG" when the base is "H" (base is "L" is AF search) |
| Q253 | Smeter RC & MPHTHC SW | When collector is "H", emitter is "H" |
| Q501 | AM RF amplifier | When the base goes "H" (RF circuit gain is up) |
| Q502 | FM RF amplifier | When the base goes "H" (RF circuit gain is up) |
| Q503 | MPX buffer | MPX input buffer with RDS |

COMPONENTS DESCRIPTION

● DAUGHTER UNIT (X89-2590-10)

| Ref No. | Application/Functions | Operation/Condition/Compatibility |
|----------|-----------------------|---|
| Q221,222 | Audio muting SW | Audio preout is muted when the base goes "H". |
| Q225 | Audio muting driver | Mute driver for audio muting switch. |

MICROCOMPUTER'S TERMINAL DESCRIPTION

● SYSTEM MICROCOMPUTER : UPD780058GC55x (X34 : IC1)

| Pin No. | Name | I/O | Description | Processing Operation |
|---------|-----------|-----|--|--|
| 1 | PANEL | I | Panel detection | H : Panel detached, L : Panel attached |
| 2 | 8EJE SW | I | | H : Eject is completed Except 8cm CD model : Always output L |
| 3 | NC | O | Not used (out put L) | |
| 4 | Avss | | | |
| 5 | L-RST | O | LCD driver RESET | H : Panel detached, L : RESET Normal H, Power off L When 7seg model, output L |
| 6 | L-CE | O | LCD driver selection | H : Select (panel communication) When panel attached, output L |
| 7 | AVREF1 | | | |
| 8 | NC | | Not used (connected to 9pin) | |
| 9 | IC10-DATA | I/O | IC10, E2PROM data communication | Non communication : H |
| 10 | IC10-CLK | O | IC10, E2PROM clock communication | Non communication : H |
| 11 | L-DATAL | I | Data input from the LCD driver | Non communication : H When panel detached : L Pull down on X34 unit, Pull up on X16 unit |
| 12 | L-DATAS | O | Data output to the LCD driver | When panel detached, output L |
| 13 | L-CLK | O | Clock output to the LCD driver | When panel detached, output L |
| 14 | R-DATA | I | Data input from the RDS | Except RDS model : Output L |
| 15 | R-QUAL | I | Quality input from the RDS | Except RDS model : Output L |
| 16 | CH-DATAC | I | Data input from the changer (new 5L) | Except changer model : Output L |
| 17 | CH-DATAH | O | Data output to the changer (new 5L) | When non communication, last data keeping Except changer model : Output L |
| 18 | CH-CLK | I/O | Clock input/output with the Changer (new 5L) | Check the old and new Except changer model : Output L |
| 19 | CH-REQH | O | Request output to the changer (new 5L) | L : Requeset Except changer model : Output L |
| 20 | NC | O | Not used (output L) | |

MICROCOMPUTER'S TERMINAL DESCRIPTION

| Pin No. | Name | I/O | Description | Processing Operation | | | | | | | | | | | | | | | | | | | | | | | | | | | | | | | | | | | | |
|------------|-------------|------------------------|--|---|------------|-------|------------------------|------------------------|--|-------|-------|--------|-------|-----|-------|-------|---------|---|---|---------|-------|----|----|-------|-------|----|-----|-----|----|---|---|----|----|-----|---|---|---|----|----|----|
| 21 | AFS | O | Noise detection time constant switching terminal | H : Normal, L : FM/AM seek and AF search (When tuner SRC auto zero, L) | | | | | | | | | | | | | | | | | | | | | | | | | | | | | | | | | | | | |
| 22~24 | NC | O | Not used (output L) | | | | | | | | | | | | | | | | | | | | | | | | | | | | | | | | | | | | | |
| 25 | CH-CONT | O | Changer control | H : Changer on, L : Changer off Except changer model : Output L | | | | | | | | | | | | | | | | | | | | | | | | | | | | | | | | | | | | |
| 26 | TYPE REF | O | 5V lines output for destination setting | H : During destination reading | | | | | | | | | | | | | | | | | | | | | | | | | | | | | | | | | | | | |
| 27 | SD | I | Tuner SD input | H : Station detected | | | | | | | | | | | | | | | | | | | | | | | | | | | | | | | | | | | | |
| 28 | NC | O | Not used (output L) | | | | | | | | | | | | | | | | | | | | | | | | | | | | | | | | | | | | | |
| 29 | TYPE2 | I | Destination type selection terminal 2 | Refer to destination type list. | | | | | | | | | | | | | | | | | | | | | | | | | | | | | | | | | | | | |
| 30 | TYPE1 | I | Destination type selection terminal 1 | Refer to destination type list. | | | | | | | | | | | | | | | | | | | | | | | | | | | | | | | | | | | | |
| 31 | TYPE0 | I | Destination type selection terminal 0 | Refer to destination type list. | | | | | | | | | | | | | | | | | | | | | | | | | | | | | | | | | | | | |
| 32 | TUNER-TYPE1 | I | Destination available/genuine model rool off | H : Genuine model 1, L : Available model | | | | | | | | | | | | | | | | | | | | | | | | | | | | | | | | | | | | |
| 33 | Vss1 | | | | | | | | | | | | | | | | | | | | | | | | | | | | | | | | | | | | | | | |
| 34 | TUNER-TYPE0 | I | Destination available/genuine model noise cancel | H : Genuine model 0, L : Available model | | | | | | | | | | | | | | | | | | | | | | | | | | | | | | | | | | | | |
| 35 | MUTE | O | Mute (E.Vol, Preset) control | H : Mute on, L : Mute off Power off after that 15 second L | | | | | | | | | | | | | | | | | | | | | | | | | | | | | | | | | | | | |
| 36 | M-DATA | I/O | Data input/output with the CD mechanism | Non communication : H | | | | | | | | | | | | | | | | | | | | | | | | | | | | | | | | | | | | |
| 37 | M-CLK | O | Clock output to the CD mechanism | Non communication : H | | | | | | | | | | | | | | | | | | | | | | | | | | | | | | | | | | | | |
| 38 | ADJ | O | Tuner lines adjustment | When adjustment = H PS1-0, 1=L PS1-2, 2-0, 1=Hi-z IC10-DATA, CLK=Hi-z | | | | | | | | | | | | | | | | | | | | | | | | | | | | | | | | | | | | |
| 39 | P-MUTE | O | Power IC mute control | H : Mute off, L : Mute on Power off after that 15 second H | | | | | | | | | | | | | | | | | | | | | | | | | | | | | | | | | | | | |
| 40 | SVR | O | Power IC servo control | H : When momentary power down detected L : Nomal | | | | | | | | | | | | | | | | | | | | | | | | | | | | | | | | | | | | |
| 41 | P-STBY | O | Power IC standby control | H : Power IC ON, L : Power IC OFF | | | | | | | | | | | | | | | | | | | | | | | | | | | | | | | | | | | | |
| 42 | SW5V | O | SW 5V control | H : SW5V OFF, L : SW5V ON Power off after that 10 second H | | | | | | | | | | | | | | | | | | | | | | | | | | | | | | | | | | | | |
| 43 | B.U-DET | I | Back up detection terminal | H : Power down, L : B.U. on | | | | | | | | | | | | | | | | | | | | | | | | | | | | | | | | | | | | |
| 44 | ACC-DET | I | ACC detection terminal | H : ACC OFF, L : ACC ON | | | | | | | | | | | | | | | | | | | | | | | | | | | | | | | | | | | | |
| 45 | PS1-0 | O | Power supply IC SW1 control 0 Audio 8V, P-CON | <table border="1"> <thead> <tr> <th colspan="3">BA4911 SW1</th> <th colspan="3">Power supply IC output</th> </tr> <tr> <th>PS1-2</th> <th>PS1-1</th> <th>PS1-0</th> <th>A8V</th> <th>P-CON</th> <th>P-ANT</th> </tr> </thead> <tbody> <tr> <td>L</td> <td>L</td> <td>L</td> <td colspan="3">STANDBY</td> </tr> <tr> <td>L</td> <td>L (H)</td> <td>H (L)</td> <td>ON</td> <td>OFF</td> <td>OFF</td> </tr> <tr> <td>L</td> <td>H</td> <td>H</td> <td>ON</td> <td>ON</td> <td>OFF</td> </tr> <tr> <td>H</td> <td>H</td> <td>H</td> <td>ON</td> <td>ON</td> <td>ON</td> </tr> </tbody> </table> | BA4911 SW1 | | | Power supply IC output | | | PS1-2 | PS1-1 | PS1-0 | A8V | P-CON | P-ANT | L | L | L | STANDBY | | | L | L (H) | H (L) | ON | OFF | OFF | L | H | H | ON | ON | OFF | H | H | H | ON | ON | ON |
| BA4911 SW1 | | | Power supply IC output | | | | | | | | | | | | | | | | | | | | | | | | | | | | | | | | | | | | | |
| PS1-2 | PS1-1 | PS1-0 | A8V | | P-CON | P-ANT | | | | | | | | | | | | | | | | | | | | | | | | | | | | | | | | | | |
| L | L | L | STANDBY | | | | | | | | | | | | | | | | | | | | | | | | | | | | | | | | | | | | | |
| L | L (H) | H (L) | ON | OFF | OFF | | | | | | | | | | | | | | | | | | | | | | | | | | | | | | | | | | | |
| L | H | H | ON | ON | OFF | | | | | | | | | | | | | | | | | | | | | | | | | | | | | | | | | | | |
| H | H | H | ON | ON | ON | | | | | | | | | | | | | | | | | | | | | | | | | | | | | | | | | | | |
| 46 | PS1-1 | O | Power supply IC SW1 control 1 Audio 8V, P-CON | | | | | | | | | | | | | | | | | | | | | | | | | | | | | | | | | | | | | |
| 47 | PS1-2 | O | Power supply IC SW1 control 2 P-ANT | | | | | | | | | | | | | | | | | | | | | | | | | | | | | | | | | | | | | |
| 48 | PS2-0 | O | Power supply IC SW2 control 0 ILLUMI, FM, AM | <table border="1"> <thead> <tr> <th colspan="2">BA4911 SW2</th> <th colspan="3">Power supply IC output</th> </tr> <tr> <th>PS2-1</th> <th>PS2-0</th> <th>ILLUMI</th> <th>FM</th> <th>AM</th> </tr> </thead> <tbody> <tr> <td>L</td> <td>L</td> <td colspan="3">STANDBY</td> </tr> <tr> <td>L (H)</td> <td>H (L)</td> <td>ON</td> <td>ON</td> <td>OFF</td> </tr> <tr> <td>H</td> <td>H</td> <td>ON</td> <td>OFF</td> <td>ON</td> </tr> </tbody> </table> | BA4911 SW2 | | Power supply IC output | | | PS2-1 | PS2-0 | ILLUMI | FM | AM | L | L | STANDBY | | | L (H) | H (L) | ON | ON | OFF | H | H | ON | OFF | ON | | | | | | | | | | | |
| BA4911 SW2 | | Power supply IC output | | | | | | | | | | | | | | | | | | | | | | | | | | | | | | | | | | | | | | |
| PS2-1 | PS2-0 | ILLUMI | FM | | AM | | | | | | | | | | | | | | | | | | | | | | | | | | | | | | | | | | | |
| L | L | STANDBY | | | | | | | | | | | | | | | | | | | | | | | | | | | | | | | | | | | | | | |
| L (H) | H (L) | ON | ON | OFF | | | | | | | | | | | | | | | | | | | | | | | | | | | | | | | | | | | | |
| H | H | ON | OFF | ON | | | | | | | | | | | | | | | | | | | | | | | | | | | | | | | | | | | | |
| 49 | PS2-1 | O | Power supply IC SW2 control 1 ILLUMI, FM, AM | | | | | | | | | | | | | | | | | | | | | | | | | | | | | | | | | | | | | |

MICROCOMPUTER'S TERMINAL DESCRIPTION

| Pin No. | Name | I/O | Description | Processing Operation |
|---------|------------|-----|---|---|
| 50 | BEEP | | BEEP | |
| 51 | DSI | O | DSI control | H : Light on, L : Light off When panel attached, output L When panel detached, flashing at the panel (H/L) FIX model is output L |
| 52 | NC | O | Not used (out put L) | |
| 53 | NC | O | Not used (out put L) | |
| 54 | LOE/LIM SW | I | CD mechanism down&limit detection | H : Chucking detection, L : Normal |
| 55 | MO SW | O | CD mechanism loading motor control output | H : Loading, Eject, Break, L : Play |
| 56 | LO/EJ | I/O | CD mechanism loading/Eject switching terminal | H : Eject, L : Loading |
| 57 | M-STOP | O | Stop output to the CD mechanism | H : Play, L : Stop |
| 58 | M-RST | O | Reset output to the CD mechanism | H : Normal, L : CD mechanism reset |
| 59 | M-MUTE | I | Mute input from the CD mechanism | H : Mute off, L : Mute on |
| 60 | RESET | | Reset input from the System microcomputer | |
| 61 | REMO | I | Remote control input | |
| 62 | R-CLK | I | RDS clock input | Except RDS model : Output L |
| 63 | CH-REQC | I | Request input from the changer (new 5L) | H : Changer detection L : Request Except Changer model : Output L |
| 64 | LOS SW | I | CD mechanism loading's switch detected | H : No disc L : Disk in (Loading Start) |
| 65 | KEY-REQ | I | Key input detected (11pin L connected to the DATA L) | H : Key no input L : Key input (edge key data reading start) |
| 66 | 12EJE SW | I | 12cm disc detected | L : 12cm disc |
| 67 | Vss0 | | | |
| 68 | VDD1 | | | |
| 69 | X2 | | MAIN X'tal oscillating circuit | 4.19MHz X'tal connection |
| 70 | X1 | | MAIN X'tal oscillating circuit | 4.19MHz X'tal connection |
| 71 | IC | | TEST | |
| 72 | XT2 | | Not used | OPEN |
| 73 | XT1 | | | |
| 74 | VDD0 | | VDD | Connected to VDD |
| 75 | AVREF0 | | A/D converter reference voltage control output, connection to the 80pin AVCONT | |
| 76 | S-METER | I | S-meter input | |
| 77 | NOISE | I | FM noise detection input | |
| 78 | PHONE | I | 2 way mute | 2.5V or greater : NAVI MUTE 1.0V or less : TEL MUTE Except phone mute model : Output L |
| 79 | NC | O | Not used (out put L) | |
| 80 | AVCONT | O | A/D converter standard voltage control output | H : During A/D converter active same timing with PON |

MICROCOMPUTER'S TERMINAL DESCRIPTION

● CD MECHANISM CONTROL IC : 789166YGB-A513 (X32 : IC1)

| Pin No. | Name | I/O | Description | Processing Operation |
|---------|------------|-----|------------------------------------|---|
| 1~6 | NC | I | NC | GND |
| 7 | ZMUTE_L | I | 0 bit MUTE detect (Lch) | Less than 54h : NORMAL, More than 54h : ZMUTE detect |
| 8 | ZMUTE_R | I | 0 bit MUTE detect (Rch) | Less than 54h : NORMAL, More than 54h : ZMUTE detect |
| 9 | AVss | - | DGND | |
| 10 | /MUTE_L | O | Lch Audio mute control | L : MUTE ON, H : MUTE OFF |
| 11 | /MUTE_R | O | Rch Audio mute control | L : MUTE ON, H : MUTE OFF |
| 12 | /MSTOP | I | Interruption for stand-by | L : STOP, H : Release for STOP mode |
| 13 | INTQ | I | Interruption for DSP IC | H : Interruption |
| 14 | /FOGUP | I | Interruption for focus gain up | L : Fo GAIN UP, H : NORMAL |
| 15 | PON | O | Power ON/OFF control | H : ON, L : OFF |
| 16 | /SCK | O | (for DSP) serial data clock output | |
| 17 | Vdd1 | - | BU5V | |
| 18 | SO | O | (for DSP) serial data output | |
| 19 | SI | I | (for DSP) serial data input | |
| 20 | /CLK | I/O | (for system control) I2C clock | |
| 21 | DATA | I/O | (for system control) I2C data | |
| 22 | Vpp | - | (FLASH saving terminal) | |
| 23 | XT2 | - | NC | OPEN |
| 24 | XT1 | I | NC | GND |
| 25 | /MRESET | I | Reset detect | L : RESET, H : NORMAL |
| 26 | X2 | - | System clock | 4.19MHz |
| 27 | X1 | I | System clock | 4.19MHz |
| 28 | Vss0 | - | DGND | |
| 29 | Vdd0 | - | BU5V | |
| 30 | LOE&LIM_SW | I | Loading end & limit SW detect | L : Inside detect, H : Outside |
| 31 | DRV_MUTE | O | Driver muting | L : MUTE ON, H : MUTE OFF |
| 32,33 | NC | O | NC | OPEN |
| 34 | /SERCH | O | Condition of serch state | L : Search, H : NORMAL |
| 35 | /STB | O | Data strobe signal output | |
| 36 | A0 | O | Command & parameter signal output | |
| 37 | Vss1 | - | DGND | |
| 38 | /DSP_RESET | O | DSP reset control | L : RESET, H : NORMAL |
| 39~41 | NC | O | NC | OPEN |
| 42 | /PON | O | Power ON/OFF control | L : ON, H : OFF |
| 43 | Avdd | - | BU5V | |
| 44 | Avref | - | BU5V | |

TEST MODE

1. How to enter test mode

While holding the FM key and preset 6 key and reset the unit. All display segments light up when the test mode is entered.

2. How to exit from test mode

Reset the unit.

Turning ACC off, power off, momentary power down or panel detaching does not terminate the test mode.

3. Test mode specifications of CD receiver

- Pressing the Track Up key skip to tracks in the following sequence:
No.9 → No.15 → No.10 → No.11 → No.12 → No.13 → No.14 → No.9 (repeats the cycle)
- Pressing the Track Down key skip to the track immediately before the track being played.
- Pressing Preset 1 key skip to track No. 28.
- Forced ejection is not provided.

4. Audio functions

- Pressing the AUDIO key or the “*” key on the remote controller initiates the Audio adjustment mode.
- In the Audio adjustment mode, the Seek Up/Down keys on the remote controller can only be pressed shortly. (They cannot be held depressed.)
- The volume is -10dB (which is displayed as “30”).
- LOUDNESS is OFF.
- The Bass/Treble Up/Down and Balance/Fader Up/Down buttons function as full-boost/full-cut and full-front/full-rear respectively.

5. Menu mode (for 14segment model)

- Pressing the CLK or the DNPP key on the remote controller initiates the Menu mode.
- In the Menu mode, the Seek Up/Down keys on the remote controller can only be pressed shortly. (They cannot be held depressed.)
- With the models incorporating RDS, the first operation in the menu becomes local seek.

6. Version and operating hours display

- The following table shows the key operations and resulting display information.

| Key Operation | Display |
|-------------------|-------------------------------------|
| Pressing Preset 1 | Version (Date and time display) |
| Pressing Preset 2 | All display segments light up |
| Pressing Preset 3 | CD operating hours |
| Pressing Preset 4 | E2PROM (Adjustment data for IC10) |
| Pressing Preset 5 | CD ejection count |
| Pressing Preset 6 | Number of times adjustment for IC10 |

- Holding Preset 3 while the operating hour information is displayed clears it.
- Holding Preset 5 while the ejection count information is displayed clears it.

Adjustment Mode

- Adjustable items

| | |
|-------------------------------|-----------------|
| 1 : Stereo Decoder | Sub address : 9 |
| 2 : Configuration | Sub address : D |
| 3 : Stereo decoder Adjustment | Sub address : E |
| 4 : Hi-Cut | Sub address : C |
| 5 : Field strength control | Sub address : B |

- Default values

If they are not written in the EEPROM, the default values specified are set in IC10.

Adjustment procedure

- Enter the IC10 Adjustment mode by resetting the unit while holding preset 3 key + preset 6 key.
- Select the TUNER source by pressing SRC.
- When the adjustment mode is entered, the display shows 2-digit hex number.
- When preset 1~5 is recalled, the setting values corresponding to the pressed number are displayed. (The displayed values are those in the RAM.)
- Vary each setting value using ◀◀ and ▶▶ key.
- Store the values in the corresponding preset number.
- The settings can be performed individually for each item. (It is not required to store all the values together.)
- After storing the values, reset the unit to exit from the adjustment mode. The values set in the EEPROM will be read during the resetting.
- When the band is switched, there may be cases in which the preset number being displayed does not coincide with the stored setting value. To check this, be sure to recall the preset number after you switch the band.

Notes

- The items that are not stored will be set to the default values.
- Once a value is stored in memory, the value will always be used later.

(It is not allowed to modify the setting values by switching the destination type.)

ADJUSTMENT

1. IC10 (TDA7513T) -The Tuner adjustment method

- When IC10 and its circumference are fixed, according to the following order, it readjusts if needed.
- The adjustment item changes with parts to exchange. Please refer to "Parts vs Adjustment item table".

1-1. VCO Coil Adjustment - Adjustment of Tuning Voltage

Voltage Check Point : Vt-Check Land
(PWB Side B, around D506)

Adjustment Coil : L507 (VCO Coil)

The adjustment method : VCO coil is turned and adjusted according to the following tables.

| TYPE | Mode | freq. | Voltage | Fig |
|------|------|---------|--------------|-----|
| E/M | AM | 1611kHz | 5.5 ± 0.1(V) | (C) |
| K | AM | 1700kHz | 5.8 ± 0.1(V) | (C) |
| J | FM | 90.0MHz | 5.6 ± 0.1(V) | (C) |

M : AM Adjustment

For Your Information : The frequency of SET is only set up by Pre-Set-Key in case this adjustment

1-2. Adjustment of 1st & 2nd-MIX Coil

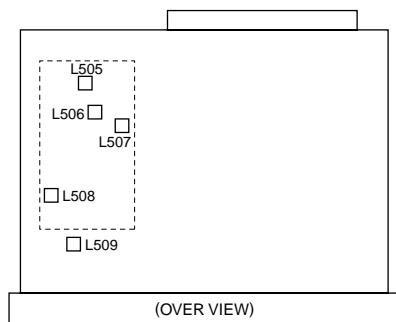
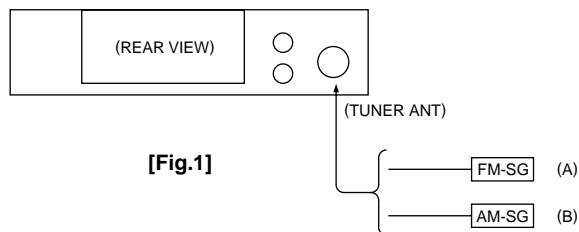
Voltage Check Point : S-METER-Check Land
(PWB Side B, around W572)

Adjustment Coil : 1st IFT = L508 / 2nd IFT = L509

Setting of Signal Generator : Refer to the following tables

| TYPE | MODE | freq. | Mod. | ANT Input | Fig |
|-------|------|---------|------|-----------|---------|
| K | AM | 1000kHz | OFF | 35dBuEMF | (B),(C) |
| E,M,J | AM | 999kHz | OFF | 35dBuEMF | (B),(C) |

- ① The appearance and the coil with which S-METER DC voltage serves as the maximum are turned and adjusted in the above-mentioned SG input.
- ② By the above-mentioned adjustment method, same adjustment is performed to both sides (1st & 2nd MIX Coil).



[Fig.2]

1-3. Adjustment of FM_ANT&RF Coil

Voltage Check Point : S-METER-Check Land
(PWB Side B, around W572)

Adjustment Coil : ANT Coil = L505
RF Coil = L506

Setting of Signal Generator : Refer to the following tables.

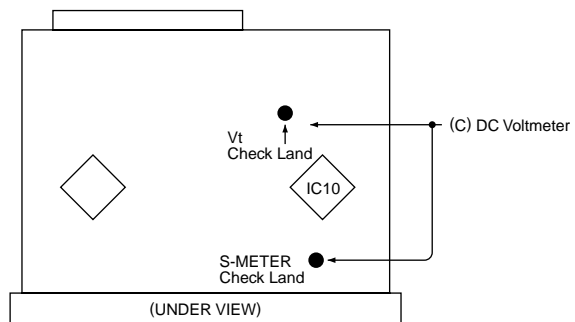
| TYPE | MODE | freq. | Mod. | ANT Input | Fig |
|------|------|---------|------|---------------|---------|
| E/M | FM | 87.5MHz | OFF | 5 or 11dBuEMF | (A),(C) |
| K | FM | 87.9MHz | OFF | 5 or 11dBuEMF | (A),(C) |
| J | FM | 76.0MHz | OFF | 5 or 11dBuEMF | (A),(C) |

- ① The appearance and the coil with which S-METER DC voltage serves as the maximum are turned and adjusted in the above-mentioned SG input.
- ② By the above-mentioned adjustment method, same adjustment is performed to both sides (ANT & RF Coil).

1-4. Adjustment of STEREO (adjustment of 456k-VCO)

Adjust in TEST MODE

- How to enter the test mode
While pressing on [FM] and [PRESET 6] keys, reset the unit.
- Adjustment method
Complete on condition that show "ALL OFF" when pressing on [PRESET 1] and [PRESET 6] keys.
(Writing adjustment valve to the EEPROM.)
Effect of adjustment is in cofirmation of adjustment status at [PRESET 4] key.
- Display of [PRESET 4]
Adjustment "OK" : 14seg model "E2P OK" 7seg model "EPO"
Adjustment "NG" : 14seg model "E2P ERR" 7seg model "EPE"
- Releasing the test mode
Reset mode only.
ACC off, Power off, Power down and Remove the panel mode is not releasing.



[Fig.3]

ADJUSTMENT

2. IC10 (TDA7513T) Replacement - Parts vs Adjustment Item Table

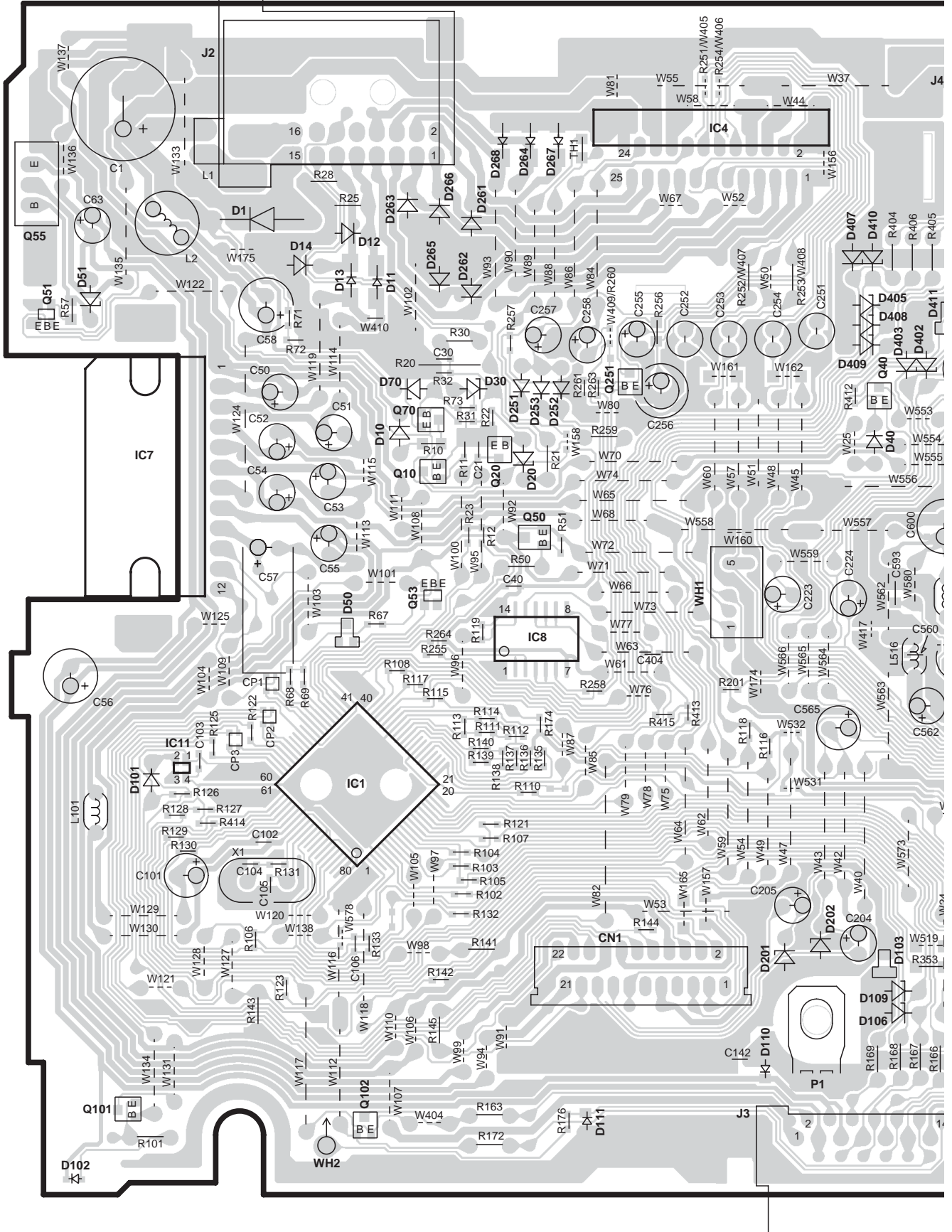
- When the parts in the following tables are exchanged, please readjust according to a table.
- When other parts are exchanged, please perform only a check of operation. There is no necessity for readjustment.

| Replacement parts | | | | Adjustment Item | | | | | |
|-----------------------------|------------|------------|---|-----------------|---------|---------|----------|---------|--------|
| Parts Name | Ref Number | TYPE | Parts Number | VCOVt | 1st MIX | 2nd MIX | ANT Coil | RF Coil | Stereo |
| | IC10 | ALL | TDA7513T | ○ | ○ | ○ | ○ | ○ | ○ |
| EEP-ROM | IC12 | ALL | M24C01-WMN6T BR24C01AF-W S-24CS02AFJ-TB | ○ | ○ | ○ | ○ | ○ | ○ |
| Antenna Coil | L505 | J E,K,M | L31-0966-05 L31-0967-05 | | | | ○ | | |
| RF Coil | L506 | J E,K,M | L31-0969-05 L31-0970-05 | | | | | ○ | |
| VCO Coil | L507 | J E,K,M | L32-0932-05 L32-0936-05 | ○ | ○ | ○ | ○ | ○ | |
| 1st MIX Coil | L508 | ALL | L30-0770-05 | | ○ | | | | |
| 2nd MIX Coil | L509 | ALL | L30-0771-05 | | | ○ | | | |
| Variable Capacitance Diodes | D504 | ALL | KV1720S | ○ | ○ | ○ | ○ | ○ | |
| Variable Capacitance Diodes | D505 | ALL | KV1720S | ○ | ○ | ○ | ○ | ○ | |
| Variable Capacitance Diodes | D506 | ALL | KV1720S | ○ | ○ | ○ | ○ | ○ | |
| X'tal | X501 | ALL | L77-2077-05 | | | | | | |

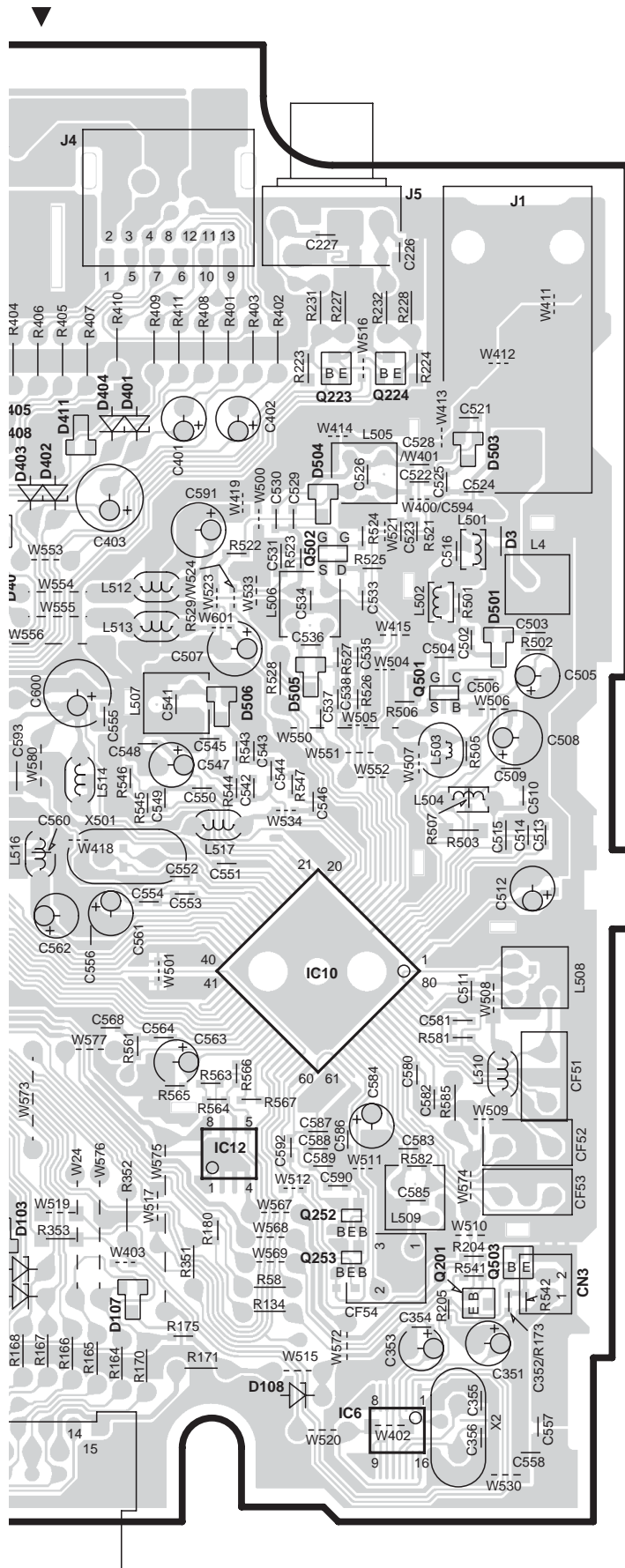
• The “○” mark shows that the adjustment is need.

PC BOARD (FOIL SIDE VIEW)

ELECTRIC UNIT X34-3100-21/3110-xx (J74-1465-22)



**DAUGHTER UNIT
X89-2590-10
(J74-1472-02)**

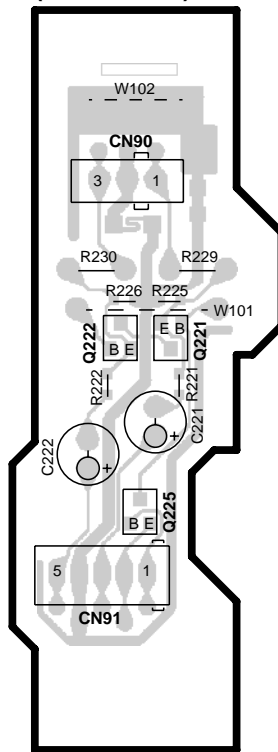


X34-3100-21/3110-xx

| IC | Q | Address |
|----|-----|---------|
| 1 | | 5C |
| 4 | | 2D |
| 6 | | 7G |
| 7 | | 3B |
| 8 | | 4D |
| 10 | | 5G |
| 11 | | 5B |
| 12 | | 6F |
| | 10 | 4C |
| | 20 | 4C |
| | 40 | 3E |
| | 50 | 4D |
| | 51 | 3A |
| | 53 | 4C |
| | 55 | 2A |
| | 70 | 3C |
| | 101 | 7A |
| | 102 | 6C |
| | 201 | 6G |
| | 223 | 3G |
| | 224 | 3G |
| | 251 | 3D |
| | 252 | 6G |
| | 253 | 6G |
| | 501 | 4G |
| | 502 | 3G |
| | 503 | 6G |

X89-2590-10

| Q | Address |
|-----|---------|
| 221 | 3J |
| 222 | 3I |
| 501 | 4G |
| 502 | 3G |
| 503 | 6G |



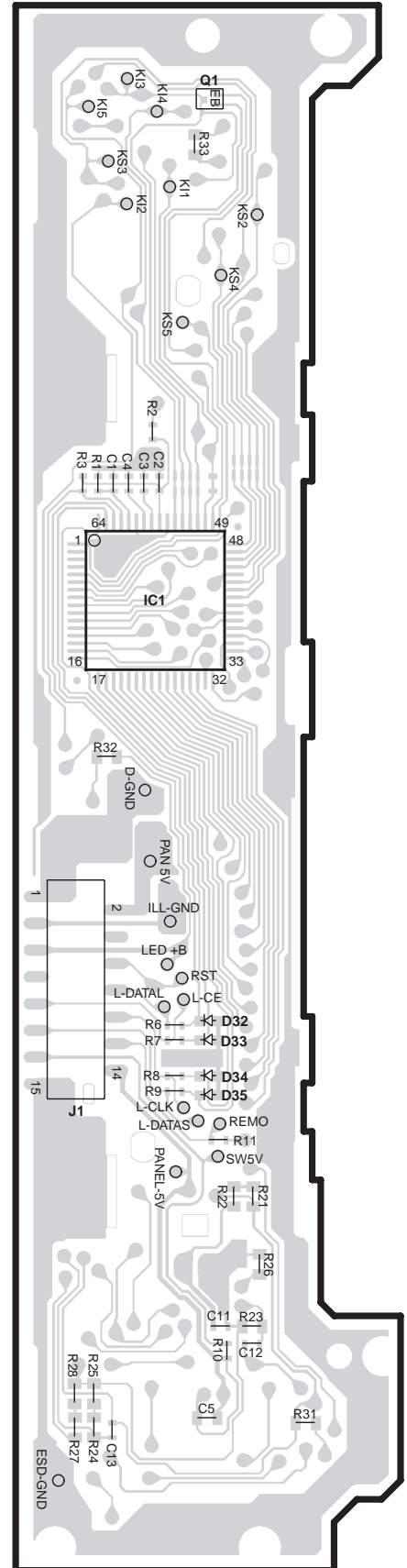
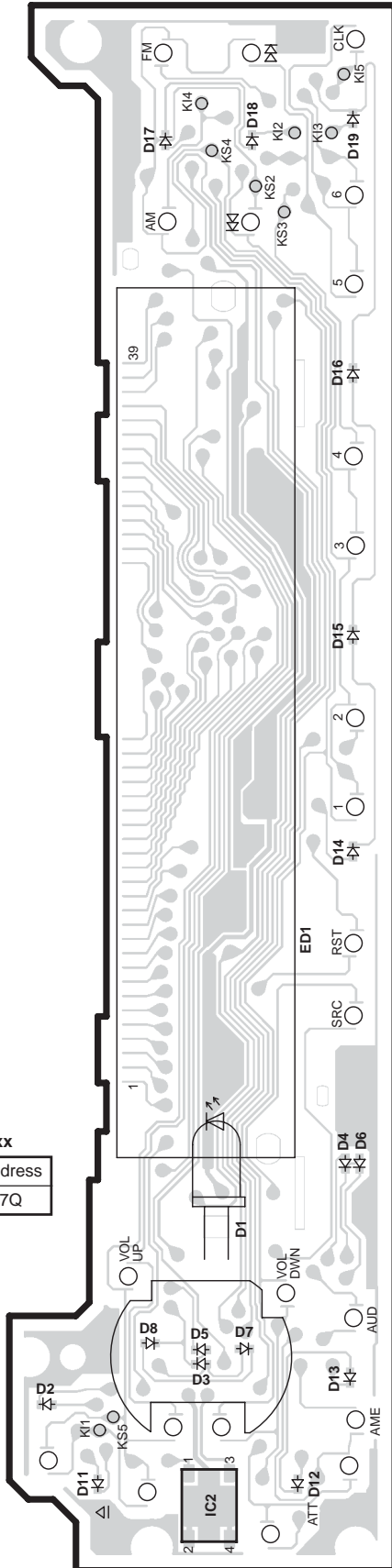
Refer to the schematic diagram for the values of resistors and capacitors.

PC BOARD (COMPONENT SIDE VIEW)

(FOIL SIDE VIEW)

SWITCH UNIT
X16-2470-xx (J74-1563-902)

SWITCH UNIT
X16-2470-xx (J74-1563-902)



X16-2470-xx

| IC | Address |
|----|---------|
| 2 | 7Q |

X16-2470-xx

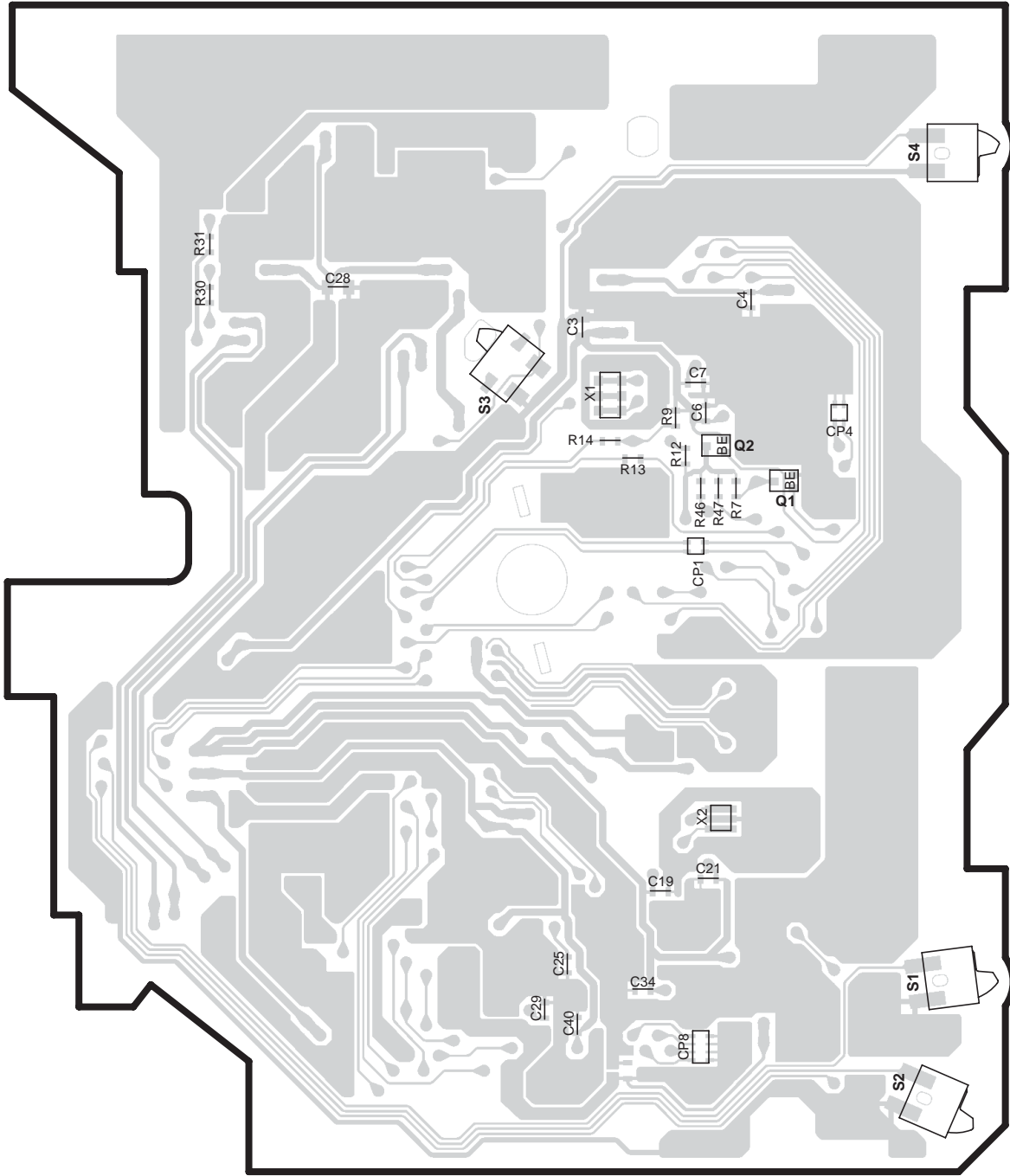
| IC | Q | Address |
|----|---|---------|
| 1 | 1 | 4S |
| | | 2S |

Refer to the schematic diagram for the values of resistors and capacitors.

KDC-205/CR, 226
KDC-2026, 3026/R

PC BOARD (COMPONENT SIDE VIEW)

CD PLAYER UNIT X32-5490-00 (J74-1551-02)



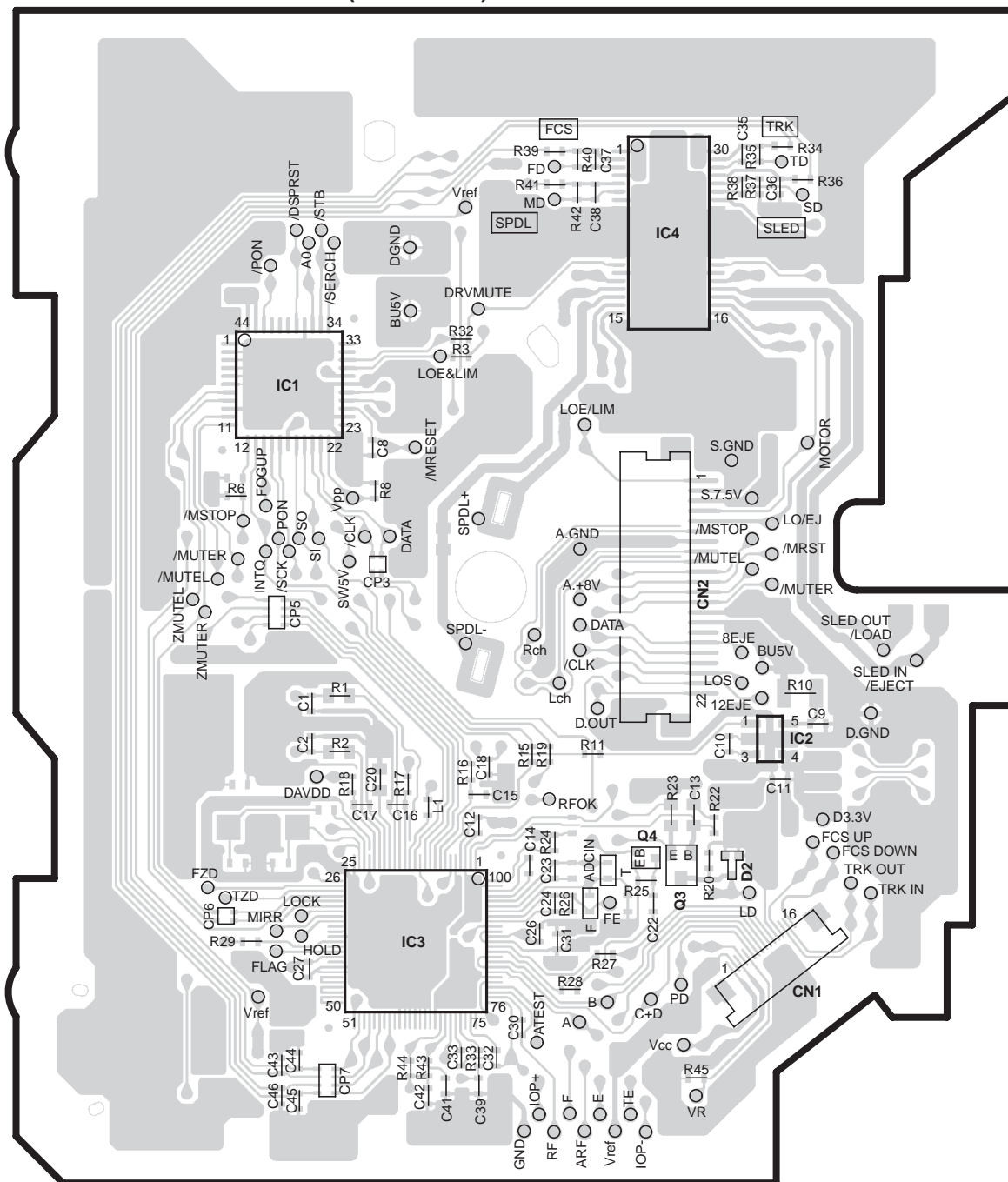
X32-5490-00

| Q | Address |
|---|---------|
| 2 | 3X |

Refer to the schematic diagram for the values of resistors and capacitors.

PC BOARD (FOIL SIDE VIEW)

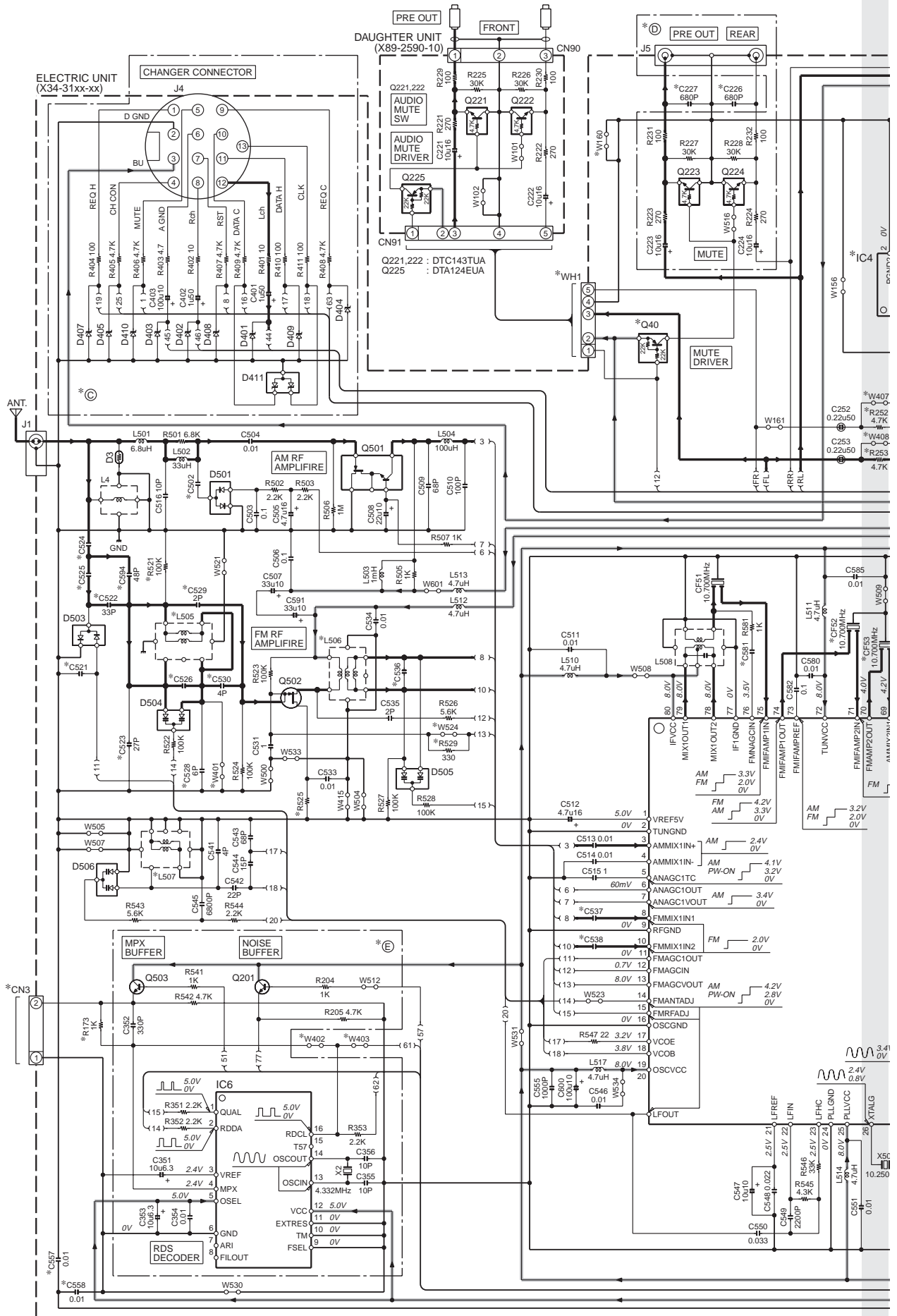
CD PLAYER UNIT X32-5490-00 (J74-1551-02)

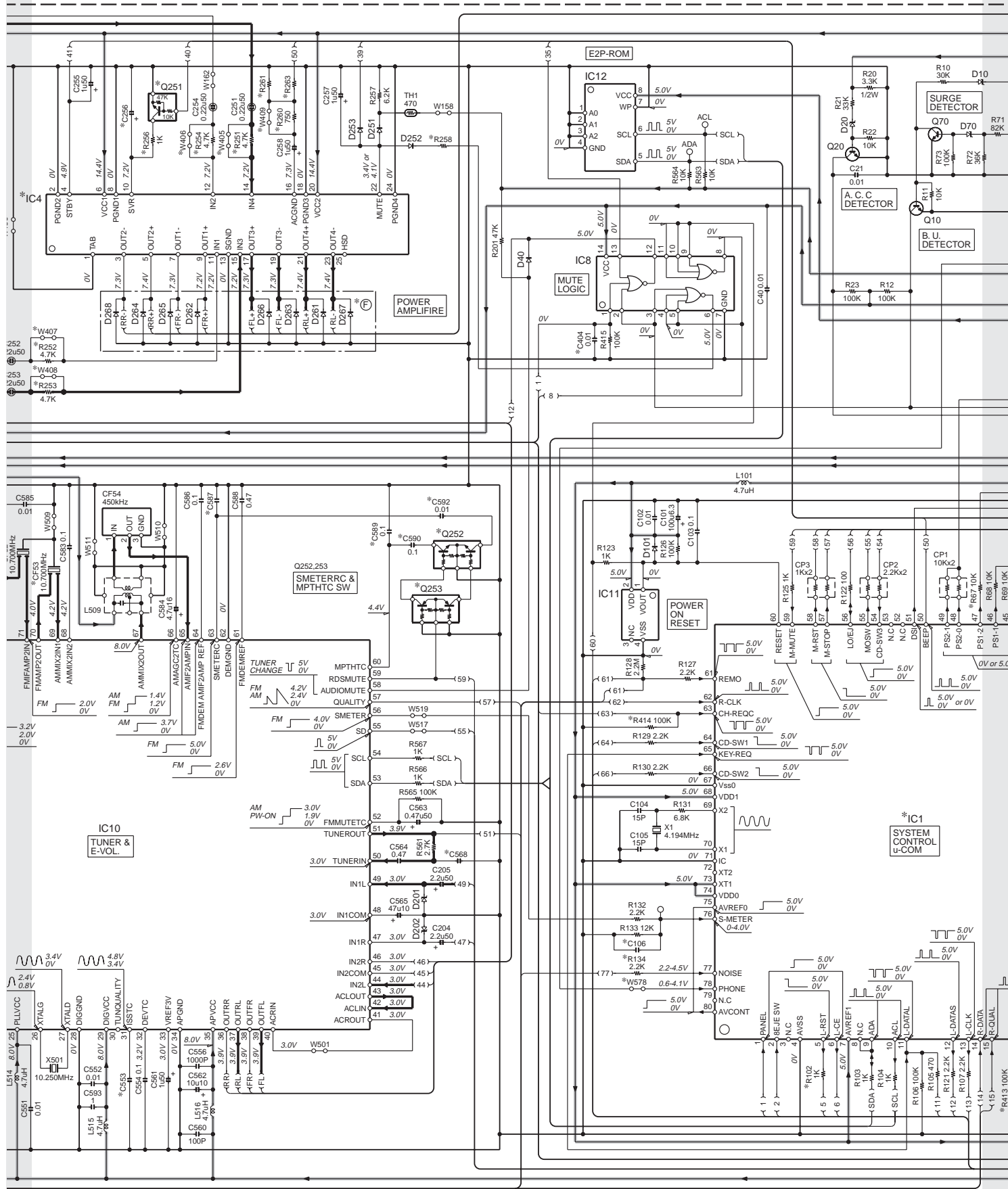


X32-5490-00

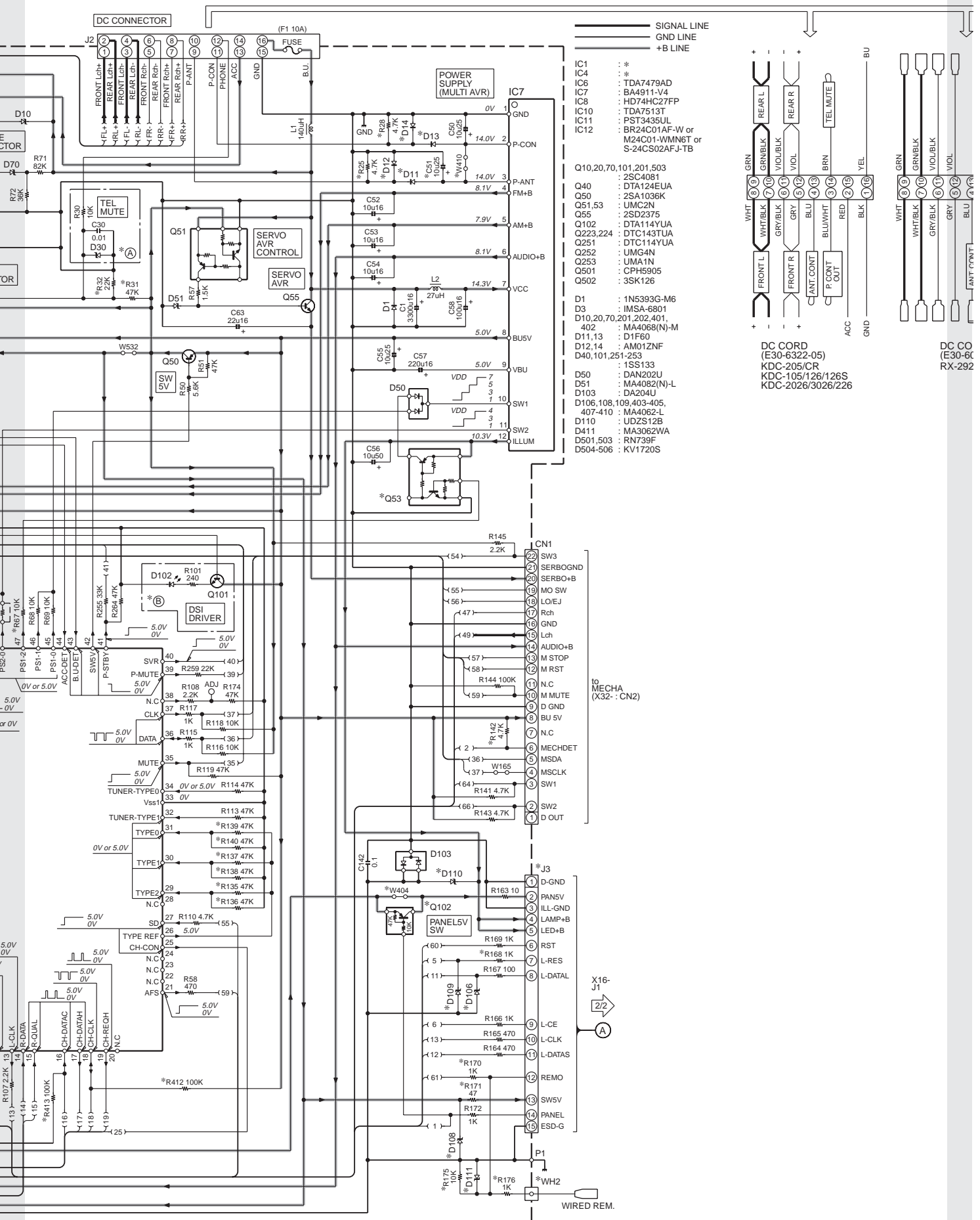
| IC | Q | Address |
|----|---|---------|
| 1 | | 3AA |
| 2 | | 4AC |
| 3 | | 5AA |
| 4 | | 2AB |
| | 3 | 5AB |
| | 4 | 5AB |

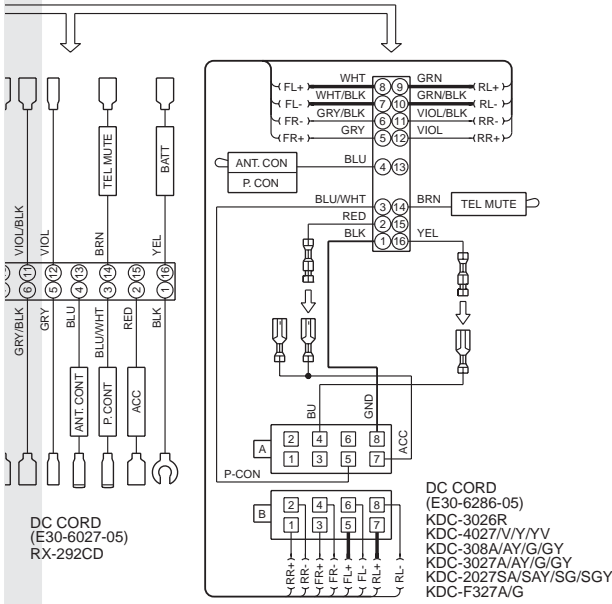
Refer to the schematic diagram for the values of resistors and capacitors.





KDC-205/CR, 226 KDC-2026, 3026/R





CAUTION : For continued safety, replace safety critical components only with manufacturer's recommended parts (refer to parts list).
△ Indicates safety critical components. To reduce the risk of electric shock, leakage-current or resistance measurements shall be carried out (exposed parts are acceptably insulated from the supply circuit) before the appliance is returned to the customer.

- DC voltages are as measured with a high impedance voltmeter. Values may vary slightly due to variations between individual instruments or/and units.

KDC-205 (1/2)

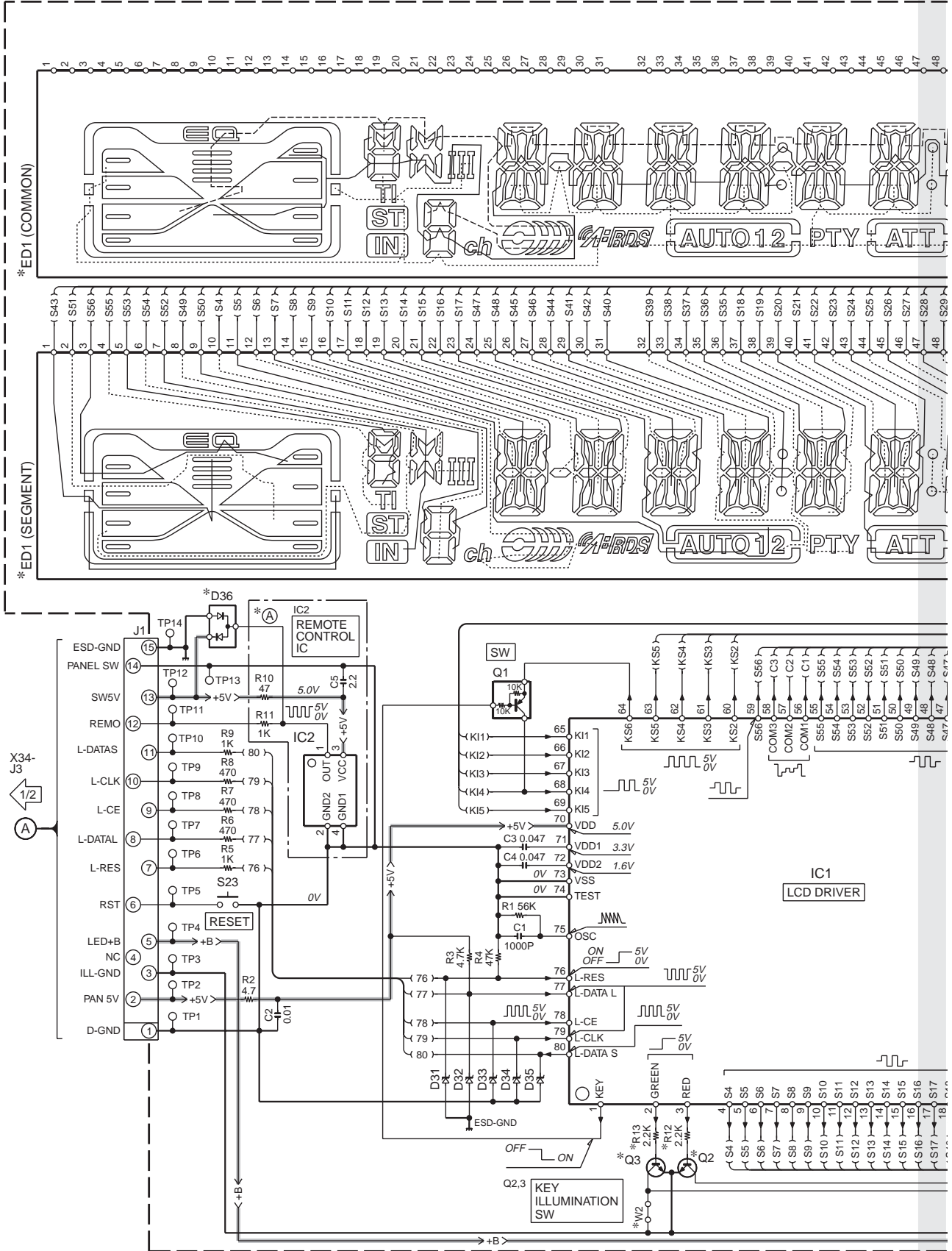
(X34-31xx-xx)

| MODEL NAME | UNIT No. | (A) | (E) | (B) | (C) | (D) | (F) | C51 | C106 | C404 | C226, 227 | C256 | C502 | C521 | C522,523,528,530 | C524 | C525 | C526 | C529,557,558,594 | C536 | C537,538 | C553 | C568 | C581 | C587 | C589 | C590,592 | CF52, 53 | CN3 |
|----------------|----------|--------------|-----|-----|-----|-----|-----|-------|-------|------|-----------|-------|-------|------|------------------|-------|------|------|------------------|------|----------|-------|------|------|------|------|-------------|-------------|-----|
| KDC-4027/Y | 02-70 | YES | YES | YES | YES | YES | YES | NO | 1000P | YES | YES | 33u50 | 1500P | 0.1 | YES | 100P | 0.01 | 5P | NO | 4P | 8P | 0.047 | 220P | 2P | 820P | NO | YES | L72-0716-05 | NO |
| KDC-4027V/VY | 02-71 | YES | YES | YES | YES | YES | YES | NO | 1000P | YES | YES | 33u50 | 1500P | 0.1 | YES | 100P | 0.01 | 5P | NO | 4P | 8P | 0.047 | 220P | 2P | 820P | NO | YES | L72-0716-05 | NO |
| KDC-3027A/Y | 02-72 | YES | YES | NO | YES | NO | NO | 1000P | NO | YES | 100u50 | 1500P | 0.1 | YES | 100P | 0.01 | 5P | NO | 4P | 8P | 0.047 | 220P | 2P | 820P | NO | YES | L72-0716-05 | NO | |
| KDC-F327A | | KDC-3027G/GY | | | | | | | | | | | | | | | | | | | | | | | | | | | |
| KDC-308A/Y | 02-73 | YES | YES | NO | YES | NO | NO | 1000P | NO | YES | 100u50 | 1500P | 0.1 | YES | 100P | 0.01 | 5P | NO | 4P | 8P | 0.047 | 220P | 2P | 820P | NO | YES | L72-0716-05 | NO | |
| KDC-3027G/GY | | KDC-308G/GY | | | | | | | | | | | | | | | | | | | | | | | | | | | |
| KDC-3027SA/SAY | 02-74 | NO | YES | NO | YES | NO | NO | 1000P | NO | YES | 100u50 | 1500P | 0.1 | YES | 100P | 0.01 | 5P | NO | 4P | 8P | 0.047 | 820P | 2P | 0.01 | YES | NO | L72-0716-05 | NO | |
| KDC-2027SG/SGY | | KDC-3026R | | | | | | | | | | | | | | | | | | | | | | | | | | | |
| KDC-3026R | 00-21 | YES | YES | YES | YES | YES | YES | 1000P | YES | YES | 33u50 | 1500P | 0.1 | YES | 100P | 0.01 | 5P | NO | 4P | 8P | 0.047 | 220P | 2P | 820P | NO | YES | L72-0716-05 | NO | |
| KDC-205 | 10-12 | NO | YES | NO | YES | YES | YES | 1500P | NO | NO | 33u50 | 1500P | 0.1 | YES | 100P | 0.01 | 5P | NO | 4P | 8P | 0.1 | 820P | 2P | 0.01 | YES | NO | L72-0781-05 | NO | |
| KDC-105 | 10-13 | NO | NO | NO | YES | NO | NO | 1500P | NO | NO | 100u50 | 1500P | 0.1 | YES | 100P | 0.01 | 5P | NO | 4P | 8P | 0.1 | 820P | 2P | 0.01 | YES | NO | L72-0781-05 | NO | |
| KDC-205CR | 10-14 | NO | YES | NO | YES | NO | NO | 1500P | NO | NO | 100u50 | 1500P | 0.1 | YES | 100P | 0.01 | 5P | NO | 4P | 8P | 0.1 | 820P | 2P | 0.01 | YES | NO | L72-0781-05 | NO | |
| KDC-3026 | 10-21 | NO | YES | YES | YES | YES | YES | 1500P | YES | NO | 33u50 | 1500P | 0.1 | YES | 100P | 0.01 | 5P | NO | 4P | 8P | 0.1 | 820P | 2P | 0.01 | YES | NO | L72-0781-05 | NO | |
| KDC-2026 | 10-22 | NO | YES | YES | YES | YES | YES | 1500P | YES | NO | 33u50 | 1500P | 0.1 | YES | 100P | 0.01 | 5P | NO | 4P | 8P | 0.1 | 820P | 2P | 0.01 | YES | NO | L72-0781-05 | NO | |
| KDC-226 | 10-23 | NO | YES | NO | YES | NO | NO | 1500P | NO | NO | 100u50 | 1500P | 0.1 | YES | 100P | 0.01 | 5P | NO | 4P | 8P | 0.1 | 820P | 2P | 0.01 | YES | NO | L72-0781-05 | NO | |
| KDC-126/S | 10-24 | NO | NO | NO | YES | NO | YES | 1500P | NO | NO | 100u50 | 1500P | 0.1 | YES | 100P | 0.01 | 5P | NO | 4P | 8P | 0.1 | 820P | 2P | 0.01 | YES | NO | L72-0781-05 | NO | |
| RX-292CD | 10-01 | NO | NO | NO | NO | NO | YES | 1500P | NO | NO | 33u50 | 0.01 | 0.47 | NO | 22P | 1000P | 10P | YES | 15P | 4P | 0.1 | 820P | 3P | 0.01 | YES | NO | L72-0781-05 | NO | |

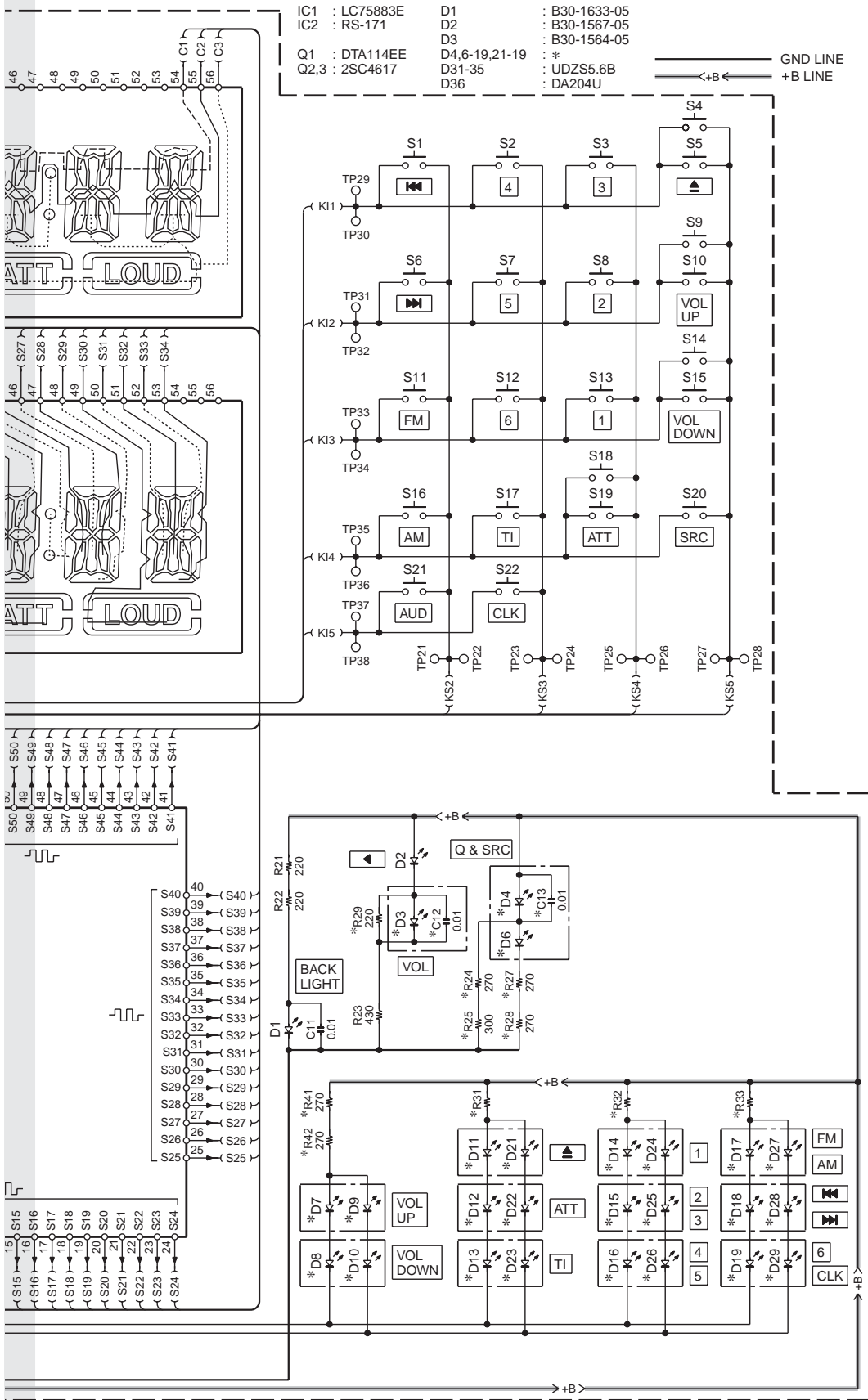
| UNIT No. | D11, 12 | D13, 14 | D106, 108, 110 | D109 | D111 | IC1 | IC4 | J3 | L505 | L506 | L507 | Q40 | Q53 | Q102 | Q251 | Q252, 253 | R25 | R28, 521 | R31, 32 | R67 | R102, 134, 168 | R135 | R136 | R137 | R138 | R139 | |
|----------|---------|---------|----------------|------|------|----------------|---------|-------------|-------------|-------------|-------------|-----|-----|------|------|-----------|-----|----------|---------|-----|----------------|------|------|------|------|------|-----|
| 02-70 | YES | YES | YES | YES | YES | UPD780058GC554 | TDA7560 | E58-0879-05 | L31-0967-05 | L31-0970-05 | L32-0936-05 | YES | NO | YES | NO | YES | YES | YES | YES | NO | YES | YES | NO | NO | NO | YES | YES |
| 02-71 | YES | YES | YES | YES | YES | UPD780058GC554 | TDA7560 | E58-0879-05 | L31-0967-05 | L31-0970-05 | L32-0936-05 | YES | NO | YES | NO | YES | YES | YES | YES | NO | YES | YES | NO | NO | NO | YES | YES |
| 02-72 | YES | YES | YES | YES | YES | UPD780058GC554 | TDA7386 | E58-0879-05 | L31-0967-05 | L31-0970-05 | L32-0936-05 | YES | NO | YES | YES | YES | YES | YES | YES | NO | YES | YES | NO | NO | YES | NO | NO |
| 02-73 | YES | YES | YES | YES | YES | UPD780058GC554 | TDA7386 | E58-0879-05 | L31-0967-05 | L31-0970-05 | L32-0936-05 | YES | NO | YES | YES | YES | YES | YES | YES | NO | YES | YES | NO | NO | YES | NO | NO |
| 02-74 | YES | YES | YES | NO | NO | UPD780058GC555 | TDA7386 | E58-0879-05 | L31-0967-05 | L31-0970-05 | L32-0936-05 | YES | NO | YES | YES | NO | YES | YES | YES | NO | NO | YES | NO | NO | YES | NO | NO |
| 00-21 | YES | YES | YES | YES | NO | UPD780058GC554 | TDA7560 | E58-0879-05 | L31-0967-05 | L31-0970-05 | L32-0936-05 | YES | NO | YES | NO | YES | YES | YES | YES | NO | YES | YES | NO | NO | YES | NO | YES |
| 10-12 | NO | YES | YES | NO | NO | UPD780058GC555 | TDA7560 | E58-0879-05 | L31-0967-05 | L31-0970-05 | L32-0936-05 | YES | NO | YES | NO | YES | YES | YES | YES | NO | NO | YES | NO | NO | NO | YES | NO |
| 10-13 | NO | YES | NO | NO | NO | UPD780058GC556 | TDA7386 | E58-0880-05 | L31-0967-05 | L31-0970-05 | L32-0936-05 | YES | NO | YES | NO | YES | NO | NO | NO | NO | NO | YES | NO | NO | NO | YES | YES |
| 10-14 | NO | YES | YES | NO | NO | UPD780058GC555 | TDA7386 | E58-0879-05 | L31-0967-05 | L31-0970-05 | L32-0936-05 | YES | NO | YES | YES | NO | YES | YES | YES | NO | YES | YES | NO | NO | NO | YES | YES |
| 10-21 | YES | YES | YES | NO | NO | UPD780058GC555 | TDA7560 | E58-0879-05 | L31-0967-05 | L31-0970-05 | L32-0936-05 | YES | YES | YES | NO | YES | YES | YES | YES | NO | YES | YES | NO | NO | YES | NO | YES |
| 10-22 | YES | YES | YES | NO | NO | UPD780058GC555 | TDA7560 | E58-0879-05 | L31-0967-05 | L31-0970-05 | L32-0936-05 | YES | YES | YES | NO | YES | YES | YES | YES | NO | YES | YES | NO | NO | YES | NO | YES |
| 10-23 | YES | YES | YES | NO | NO | UPD780058GC555 | TDA7386 | E58-0879-05 | L31-0967-05 | L31-0970-05 | L32-0936-05 | YES | YES | YES | NO | YES | YES | YES | YES | NO | YES | YES | NO | NO | YES | NO | YES |
| 10-24 | YES | YES | NO | NO | NO | UPD780058GC556 | TDA7386 | E58-0880-05 | L31-0967-05 | L31-0970-05 | L32-0936-05 | YES | NO | YES | NO | YES | NO | YES | YES | NO | YES | YES | NO | NO | YES | NO | YES |
| 10-01 | YES | NO | NO | NO | NO | UPD780058GC556 | TDA7560 | E58-0880-05 | L31-0966-05 | L31-0969-05 | L32-0932-05 | NO | YES | NO | NO | NO | NO | NO | NO | YES | NO | NO | NO | NO | YES | NO | NO |

| UNIT No. | R140 | R142 | R170, 171 | R173 | R175 | R176 | R251-254, 256, 260 | R258 | R261 | R263 | R412-414 | R525 | R529 | W160 | W401 | W402, 403 | W404 | W405-409 | W410, 578 | W524 | WH1 | WH2 |
|----------|------|------|-----------|------|------|------|--------------------|------|------|------|----------|------|------|------|------|-----------|------|----------|-----------|------|-----|-----|
| 02-70 | NO | NO | YES | NO | NO | YES | NO | 220 | 10 | 4.3K | YES | 330 | NO | NO | NO | NO | NO | NO | YES | YES | NO | YES |
| 02-71 | NO | NO | YES | NO | NO | YES | NO | 220 | 10 | 4.3K | YES | 330 | NO | NO | NO | NO | NO | NO | YES | YES | NO | YES |
| 02-72 | YES | NO | NO | NO | YES | YES | YES | 100 | 430 | 180K | NO | 330 | NO | NO | NO | NO | NO | NO | YES | YES | NO | YES |
| 02-73 | YES | NO | NO | NO | YES | YES | YES | 100 | 430 | 180K | NO | 330 | NO | NO | NO | NO | NO | NO | YES | YES | NO | YES |
| 02-74 | YES | NO | NO | NO | NO | NO | YES | 100 | 430 | 180K | NO | 330 | NO | NO | NO | NO | NO | NO | YES | YES | NO | NO |
| 00-21 | NO | NO | YES | NO | NO | NO | NO | 220 | 10 | 4.3K | YES | 330 | NO | NO | NO | NO | NO | NO | YES | YES | NO | NO |
| 10-12 | NO | NO | NO | NO | NO | NO | NO | 220 | 10 | 4.3K | NO | 820 | NO | YES | NO | NO | NO | NO | YES | NO | NO | NO |
| 10-13 | NO | NO | NO | NO | NO | YES | YES | 100 | 430 | 180K | NO | 820 | NO | YES | NO | NO | NO | NO | YES | NO | NO | NO |
| 10-14 | NO | NO | YES | NO | NO | NO | YES | 100 | 430 | 180K | NO | 820 | NO | YES | NO | NO | NO | NO | YES | NO | NO | NO |
| 10-21 | NO | NO | YES | NO | NO | NO | NO | 220 | 10 | 4.3K | YES | 820 | NO | NO | NO | NO | NO | NO | YES | NO | YES | NO |
| 10-22 | NO | NO | YES | NO | NO | NO | NO | 220 | 10 | 4.3K | YES | 820 | NO | NO | NO | NO | NO | NO | YES | NO | YES | NO |
| 10-23 | NO | NO | NO | NO | NO | NO | YES | 100 | 430 | 180K | NO | 820 | NO | NO | NO | NO | NO | NO | YES | NO | NO | NO |
| 10-24 | NO | NO | NO | NO | NO | NO | YES | 100 | 430 | 180K | NO | 820 | NO | NO | NO | NO | NO | NO | YES | NO | NO | NO |
| 10-01 | YES | YES | NO | NO | NO | NO | NO | 220 | 10 | 4.3K | NO | 820 | YES | NO | YES | NO | YES | YES | NO | NO | NO | NO |

SWITCH UNIT (X16-246x-xx)



CAUTION : For continued safety, replace safety critical components only with manufacturer's recommended parts (refer to parts list).
 ▲ Indicates safety critical components. To reduce the risk of electric shock, leakage-current or resistance measurements shall be carried out (exposed parts are acceptably insulated from the supply circuit) before the appliance is returned to the customer.



- IC1 : LC75883E
- IC2 : RS-171
- Q1 : DTA114EE
- Q2,3 : 2SC4617
- D1 : B30-1633-05
- D2 : B30-1567-05
- D3 : B30-1564-05
- D4,6-19,21-19 : *
- D31-35 : UDZS5.6B
- D36 : DA204U

(X16-246x-xx)

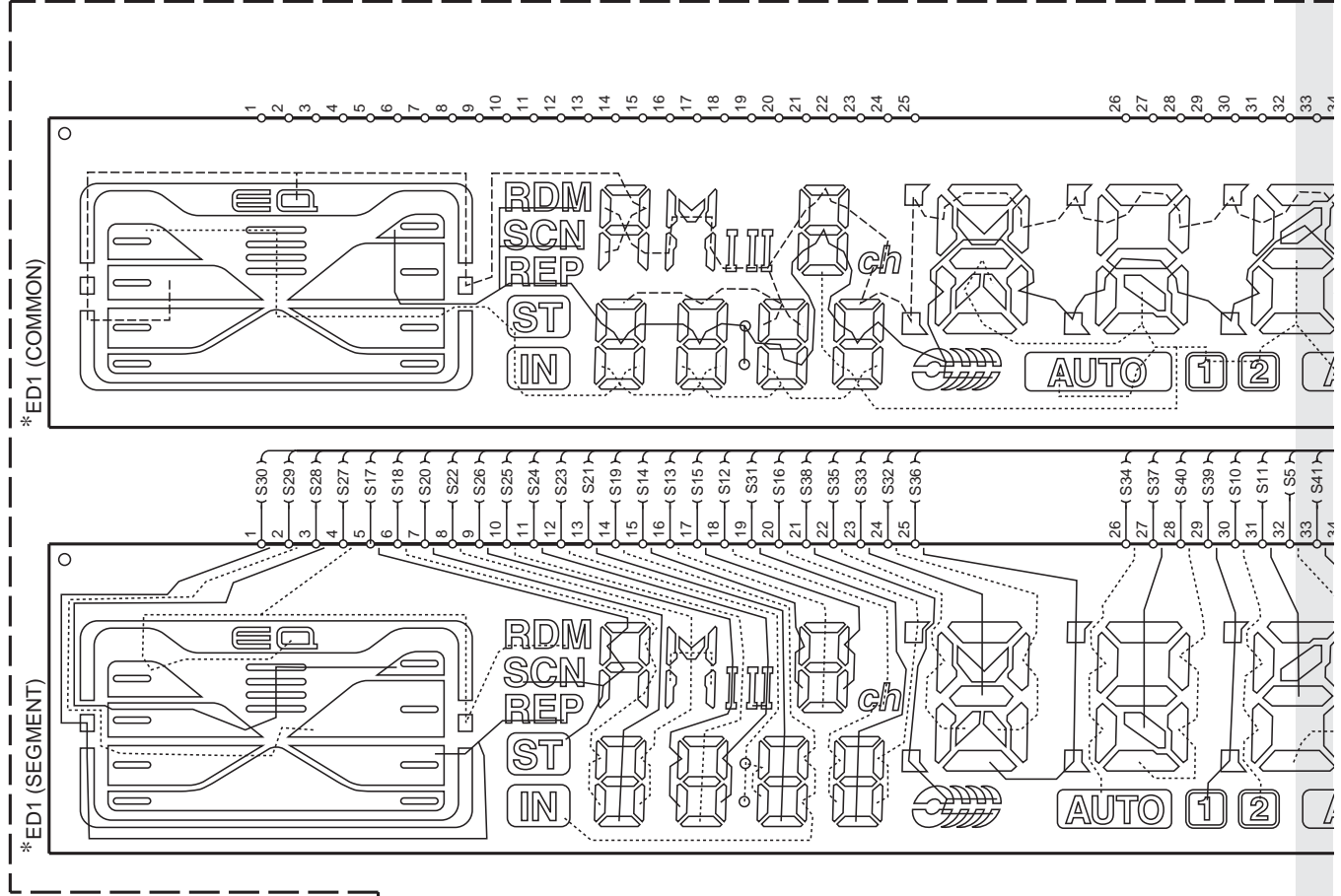
| MODEL NAME | UNIT No. | (A) | C12 | C13 | D3 | D4 | D6 | D7,8 | D9,10 | D11-19 | D21-29 | D36 | E D1 | Q2,3 | R12,13, 24,25 | R27, 28 | R29, 41,42 | R31- 33 | W2 |
|--------------|----------|-----|-----|-----|-----|-------------|----|-------------|-------------|-------------|-------------|-----|-------------|------|---------------|---------|------------|---------|-----|
| KDC-4027Y | 2-70 | YES | NO | YES | NO | B30-1564-05 | NO | B30-1567-05 | B30-1533-05 | B30-1567-05 | B30-1533-05 | YES | B38-1144-05 | YES | YES | NO | YES | 330 | NO |
| KDC-4027A/VY | 2-71 | YES | NO | YES | NO | B30-1564-05 | NO | B30-1567-05 | B30-1533-05 | B30-1567-05 | B30-1533-05 | YES | B38-1137-05 | YES | YES | NO | YES | 330 | NO |
| KDC-3028R | 0-21 | YES | YES | YES | YES | B30-1564-05 | NO | NO | NO | B30-1567-05 | B30-1533-05 | NO | B38-1145-05 | YES | YES | NO | YES | 330 | NO |
| KDC-3027A/AY | 2-73 | NO | NO | NO | NO | B30-1567-05 | NO | B30-1567-05 | B30-1533-05 | NO | B30-1533-05 | NO | B38-1144-05 | NO | YES | YES | YES | 390 | YES |
| KDC-3027G/GY | 2-75 | NO | NO | NO | NO | B30-1687-05 | NO | B30-1687-05 | B30-1533-05 | NO | B30-1533-05 | NO | B38-1144-05 | NO | NO | YES | YES | 330 | YES |
| KDC-308A/AY | 2-72 | NO | NO | NO | NO | B30-1567-05 | NO | B30-1567-05 | B30-1567-05 | NO | B30-1567-05 | NO | B38-1145-05 | NO | NO | YES | YES | 390 | YES |
| KDC-308G/GY | 2-74 | NO | NO | NO | NO | B30-1687-05 | NO | B30-1687-05 | B30-1533-05 | NO | B30-1533-05 | NO | B38-1145-05 | NO | NO | YES | YES | 330 | YES |
| KDC-F327A | 2-76 | NO | NO | NO | NO | B30-1567-05 | NO | B30-1567-05 | B30-1567-05 | NO | B30-1567-05 | NO | B38-1137-05 | NO | NO | YES | YES | 390 | YES |
| KDC-F327G | 2-77 | NO | NO | NO | NO | B30-1687-05 | NO | B30-1687-05 | B30-1533-05 | NO | B30-1533-05 | NO | B38-1137-05 | NO | NO | YES | YES | 330 | YES |

KDC-205 (2/2)

- DC voltages are as measured with a high impedance voltmeter. Values may vary slightly due to variations between individual instruments or/and units.

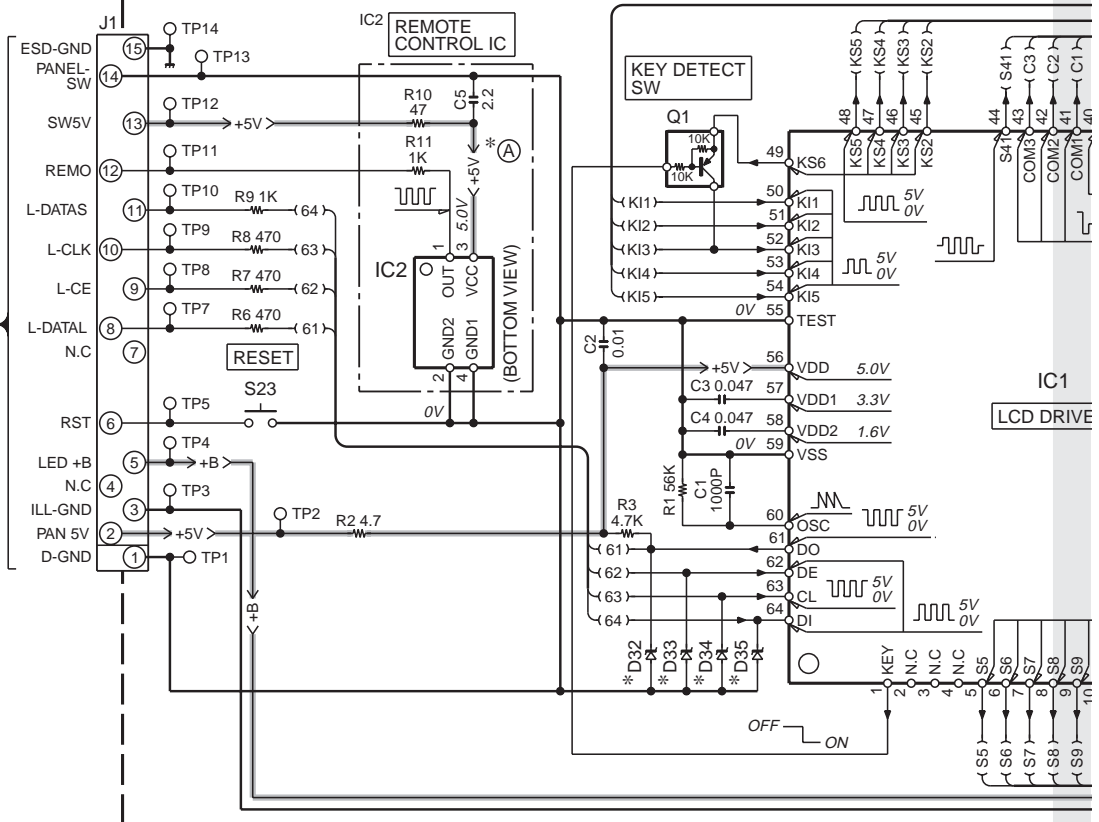
KDC-205/CR, 226 KDC-2026, 3026/R

SWITCH UNIT (X16-247x-xx)



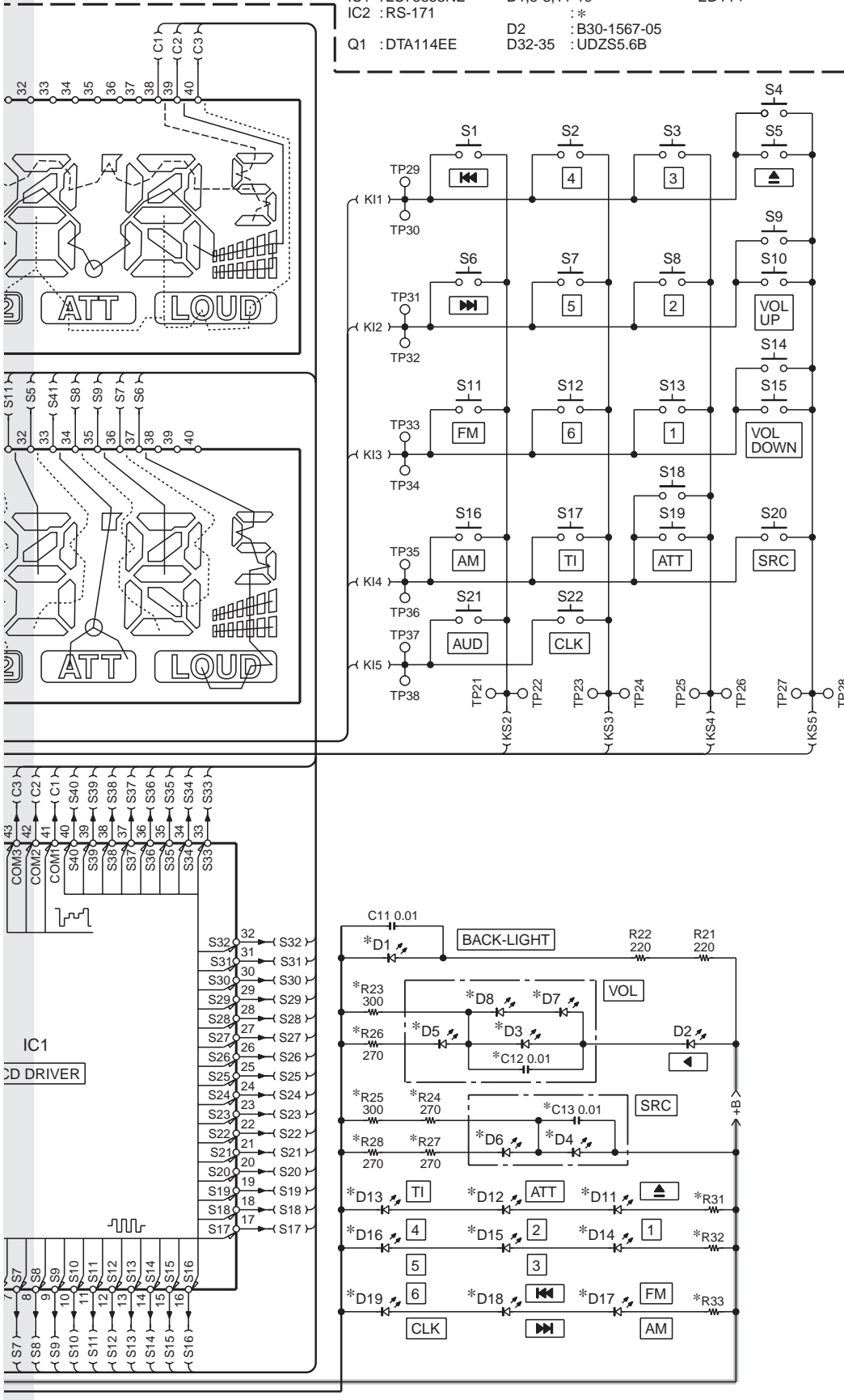
CAUTION : For continued safety, replace safety critical components only with manufacturer's recommended parts (refer to parts list).
 ⚠ Indicates safety critical components. To reduce the risk of electric shock, leakage-current or resistance measurements shall be carried out (exposed parts are acceptably insulated from the supply circuit) before the appliance is returned to the customer.

- DC voltages are as measured with a high impedance voltmeter. Values may vary slightly due to variations between individual instruments or/and units.



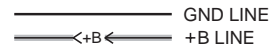
KDC-205/CR, 226
KDC-206, 3026/R

IC1 : LC75853NE D1,3-8,11-19 ED1 : *
IC2 : RS-171 : *
Q1 : DTA114EE D2 : B30-1567-05
D32-35 : UDZS5.6B



| MODEL NAME | UNIT No. | (A) | C12, 13 | D1 | D3 | D4 | D5 | D6 | D7,8 | D11-19 | D32-35 | ED1 | R23 | R24, 25 | R26, 28 | R27, R31-33 |
|----------------|----------|-----|---------|-------------|-------------|-------------|----|-------------|-------------|-------------|--------|-------------|-----|---------|---------|-------------|
| KDC-2025V | 0-11 | YES | YES | B30-1633-05 | B30-1564+05 | B30-1564-05 | NO | NO | NO | B30-1567-05 | YES | B38-1139-05 | 430 | YES | NO | 390 |
| KDC-3026 | 0-21 | YES | NO | B30-1633-05 | B30-1567-05 | B30-1567-05 | NO | B30-1687-05 | NO | B30-1567-05 | YES | B38-1138-05 | NO | NO | 390 | 390 |
| KDC-2027SA/SGY | 0-22 | YES | YES | B30-1633-05 | B30-1687-05 | B30-1687-05 | NO | B30-1687-05 | NO | B30-1533-05 | YES | B38-1140-05 | NO | NO | 360 | 330 |
| KDC-2027SG/SGY | 2-72 | NO | NO | B30-1633-05 | NO | B30-1687-05 | NO | B30-1687-05 | B30-1567-05 | B30-1567-05 | YES | B38-1140-05 | 360 | NO | NO | 390 |
| KDC-205 | 0-13 | NO | YES | B30-1633-05 | B30-1564+05 | B30-1564-05 | NO | NO | NO | B30-1533-05 | YES | B38-1140-05 | 360 | NO | NO | 330 |
| RX-2922CD | 0-01 | YES | YES | B30-1633-05 | B30-1690-05 | B30-1690-05 | NO | B30-1690-05 | NO | B30-1567-05 | YES | B38-1138-05 | 430 | YES | NO | 390 |
| KDC-105 | 0-10 | NO | NO | B30-1633-05 | B30-1567-05 | B30-1567-05 | NO | B30-1687-05 | NO | B30-1567-05 | NO | B38-1140-05 | NO | NO | 390 | 390 |
| KDC-126/S | 0-23 | NO | NO | B30-1633-05 | B30-1687-05 | B30-1687-05 | NO | B30-1687-05 | NO | B30-1533-05 | YES | B38-1140-05 | NO | NO | 360 | YES |

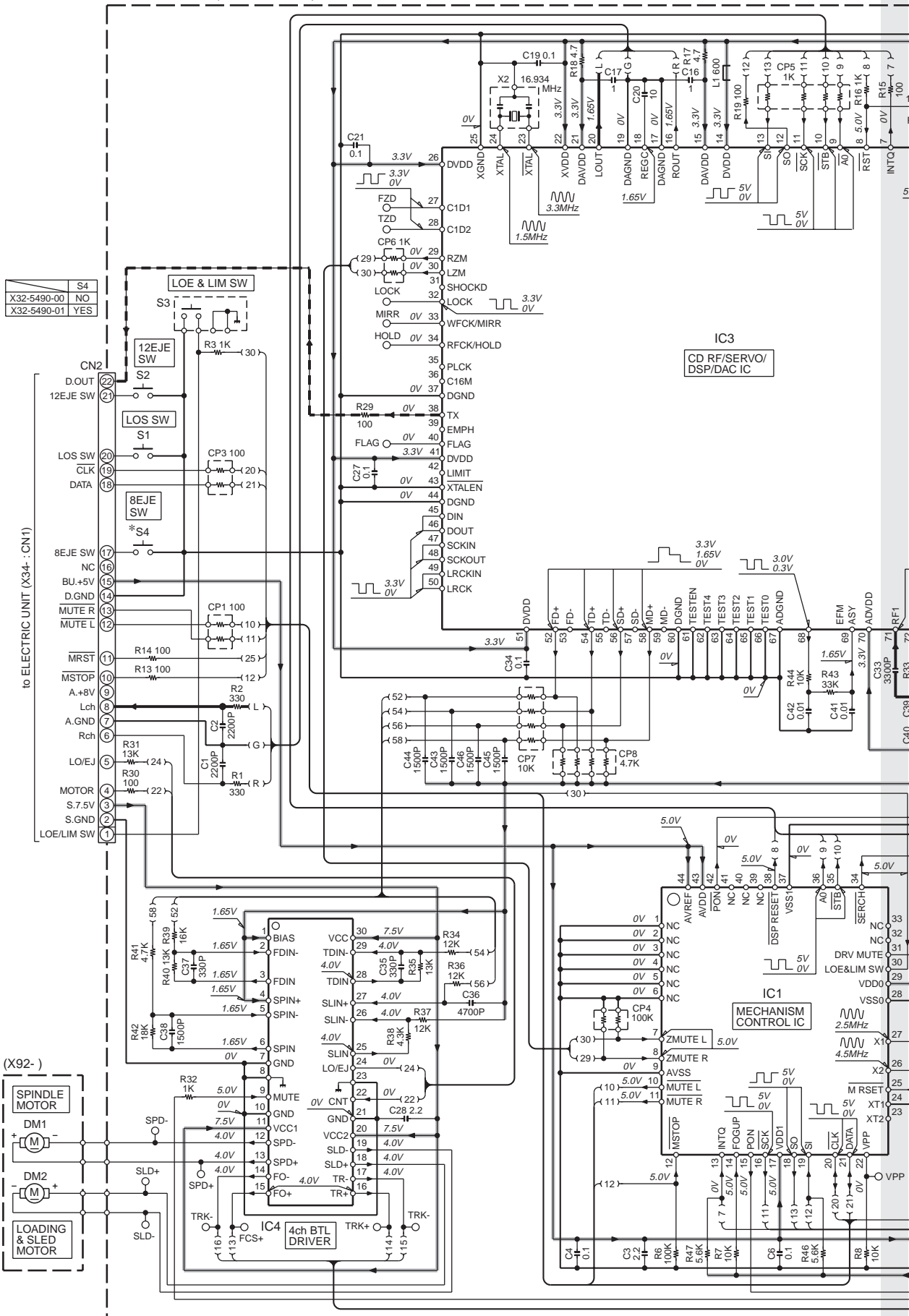
(X16-247x-xx)

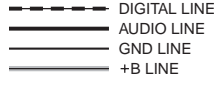
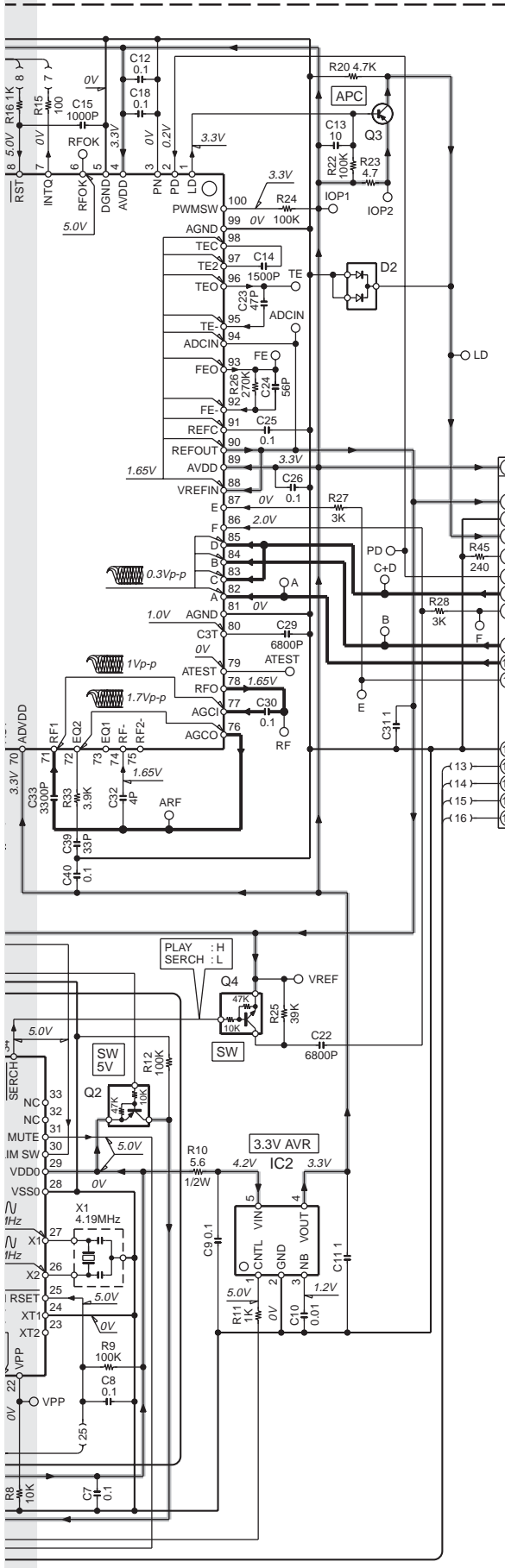


KDC-205 (2/2)

KDC-205/CR, 226 KDC-2026, 3026/R

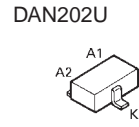
CD PLAYER UNIT (X32-5490-00/01)



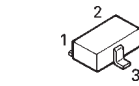
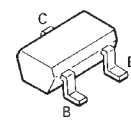


- IC1 : 789166YGB-A513
- IC2 : NJM2880U133
- IC3 : uPD63712GC
- IC4 : BA5824FP
- Q2 : DTA114YUAF
- Q3 : 2SB0970
- Q4 : DTC114YUAF
- D2 : DAN202U

- DTA114EE
- DTC114YUA
- DTC143TUA
- 2SA1036K
- 2SC4617

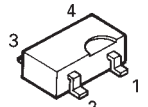
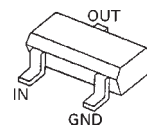


2SC4081



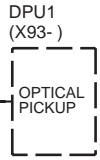
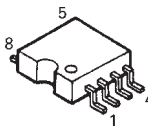
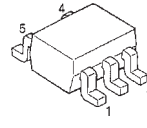
3SK126

DTA124EUA



BR24C01AF-W

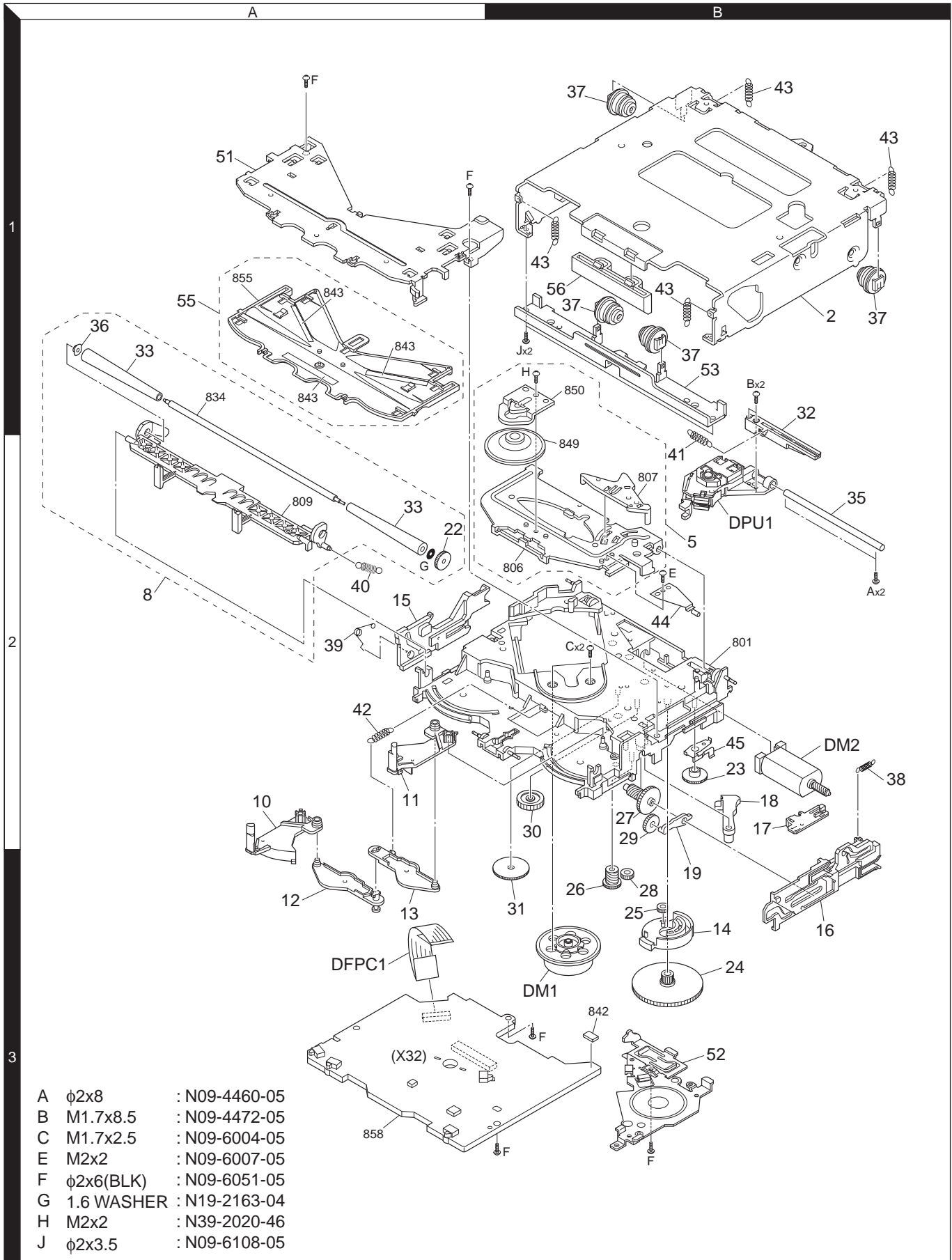
UMC2N



CAUTION : For continued safety, replace safety critical components only with manufacturer's recommended parts (refer to parts list).
 ⚠ Indicates safety critical components. To reduce the risk of electric shock, leakage-current or resistance measurements shall be carried out (exposed parts are acceptably insulated from the supply circuit) before the appliance is returned to the customer.

- DC voltages are as measured with a high impedance voltmeter. Values may vary slightly due to variations between individual instruments or/and units.

EXPLODED VIEW (CD MECHANISM)



PARTS LIST

* New parts

Parts without **Parts No.** are not supplied.

Les articles non mentionnés dans le **Parts No.** ne sont pas fournis.

Teile ohne **Parts No.** werden nicht geliefert.

| Ref. No. | A d d | N e w | Parts No. | Description | Desti- nation |
|--|-------------|-------------|-------------|--------------------------------|------------------|
| KDC-205/CR, KDC-226, KDC-2026, KDC-3026/R | | | | | |
| 201 | 1C | | A02-1486-13 | PLASTIC CABINET ASSY | |
| 205 | 2C | | A22-2863-03 | SUB PANEL ASSY | |
| 207 | 2C | * | A46-1796-01 | REAR COVER | |
| 208 | 1D | | A52-0804-02 | TOP PLATE | |
| PA1 | 3C | * | A64-3149-02 | PANEL ASSY | K2 |
| PA1 | 3C | * | A64-3161-02 | PANEL ASSY | M3 |
| PA1 | 3C | * | A64-3162-02 | PANEL ASSY | M |
| PA1 | 3C | * | A64-3163-02 | PANEL ASSY | M1 |
| PA1 | 3C | * | A64-3164-02 | PANEL ASSY | M2 |
| PA1 | 3C | * | A64-3304-02 | PANEL ASSY | K4 |
| - | | | B46-0100-50 | WARRANTY CARD | |
| - | | | B46-0606-04 | ID CARD | |
| - | | | B58-1365-04 | CAUTION CARD | |
| - | | * | B64-2670-00 | INST. MANUAL (ENG,FRA,SPA,POR) | K2 |
| - | | * | B64-2671-00 | INST. MANUAL (ENG,T-CHI) | MM1M2 |
| - | | * | B64-2672-00 | INST. MANUAL (ARABIC) | MM1M2 |
| - | | * | B64-2729-00 | INST. MANUAL (ENG,T-CHI) | M3 |
| - | | * | B64-2730-00 | INST. MANUAL (ARABIC) | M3 |
| - | | * | B64-2738-00 | INST. MANUAL (ENG,SPA,POR) | K4 |
| 210 | 1C | | B07-3001-02 | ESCUTCHEON | K4M2 |
| 210 | 1C | * | B07-3097-02 | ESCUTCHEON | K2 |
| 210 | 1C | * | B07-3098-02 | ESCUTCHEON | M |
| 210 | 1C | * | B07-3098-02 | ESCUTCHEON | M1M3 |
| 211 | 3C | * | B10-4443-01 | FRONT GLASS | K2 |
| 211 | 3C | * | B10-4455-01 | FRONT GLASS | M3 |
| 211 | 3C | * | B10-4456-01 | FRONT GLASS | M |
| 211 | 3C | * | B10-4457-01 | FRONT GLASS | M1 |
| 211 | 3C | * | B10-4458-01 | FRONT GLASS | M2 |
| 211 | 3C | * | B10-4547-01 | FRONT GLASS | K4 |
| 213 | 1C | | D10-4446-03 | LEVER | |
| 214 | 1C | | D10-4447-03 | LEVER | |
| 215 | 1C | | D10-4589-04 | LEVER | |
| 216 | 1C | | D21-2329-04 | SHAFT | |
| 218 | 1C | * | E29-1964-02 | CONDUCTIVE RUBBER | |
| 219 | 1D | | E30-6229-05 | CORD WITH PINPLUG | M |
| △ DC1 | 1C | * | E30-6132-15 | DC CORD | M3 |
| △ DC1 | 1C | * | E30-6286-05 | DC CORD | M3 |
| △ DC2 | 1C | * | E30-6322-05 | DC CORD | K2 |
| △ DC2 | 1C | * | E30-6322-05 | DC CORD | K4M |
| △ DC2 | 1C | * | E30-6322-05 | DC CORD | M1M2 |
| △ DC2 | 1C | * | E30-6323-05 | DC CORD | K2 |
| △ DC2 | 1C | * | E30-6323-05 | DC CORD | K4M |
| △ DC2 | 1C | * | E30-6323-05 | DC CORD | M1M2 |
| FC1 | 2D | | E39-0476-05 | FLAT CABLE (22PIN) | |
| 223 | 1D | | F29-0626-04 | INSULATING COVER | M |
| △ F1 | 2D | | F52-0006-05 | FUSE (MINI BLADE TYPE 10A) | |
| △ F1 | 2D | * | F52-0023-05 | FUSE (MINI BLADE TYPE 10A) | |
| 224 | 1C | | G01-2987-04 | TORSION COIL SPRING | |
| 225 | 1C | | G01-3096-04 | EXTENSION SPRING | |
| 226 | 3C | | G01-3149-04 | COMPRESSION SPRING | |
| - | | | H10-4856-12 | POLYSTYRENE FOAMED FIXTURE | |
| - | | | H25-0329-04 | PROTECTION BAG (280X450X0.03) | |

| Ref. No. | A d d | N e w | Parts No. | Description | Desti- nation |
|----------------------------------|-------------|-------------|--------------|-------------------------------|------------------|
| - | | | H25-0337-04 | PROTECTION BAG (180X300X0.03) | |
| - | | * | H54-2966-03 | ITEM CARTON CASE | K2 |
| - | | * | H54-2967-03 | ITEM CARTON CASE | M3 |
| - | | * | H54-2968-03 | ITEM CARTON CASE | M |
| - | | * | H54-2969-03 | ITEM CARTON CASE | M1 |
| - | | * | H54-2970-03 | ITEM CARTON CASE | M2 |
| - | | * | H54-3121-03 | ITEM CARTON CASE | K4 |
| 229 | 1C | | J21-9716-03 | MOUNTING HARDWARE ASSY | |
| 232 | 3C | * | K24-4098-04 | KNOB (SRC) | |
| 233 | 3C | * | K24-4099-04 | KNOB (Q-AUDIO) | |
| 234 | 3C | * | K24-4101-04 | KNOB (RELEASE) | |
| 235 | 3C | * | K24-4096-04 | KNOB (VOL.UP) | |
| 236 | 3C | * | K24-4097-04 | KNOB (VOL.DOWN) | |
| 237 | 3C | * | K25-1589-03 | KNOB (PRESET1-6) | |
| 238 | 3C | * | K25-1590-03 | KNOB (EJECT/ATT) | |
| 239 | 3C | * | K25-1613-03 | KNOB (FM/AM) | |
| 240 | 3C | * | K25-1614-03 | KNOB (SEEK) | |
| 242 | 1C | | N84-4016-46 | PAN HEAD TAPTITE SCREW | |
| 243 | 1C | | N99-1719-05 | SCREW SET | |
| A | 2D | | N30-3008-46 | PAN HEAD MACHINE SCREW | |
| B | 2D | | N80-2006-46 | PAN HEAD TAPTITE SCREW | |
| C | 2D | | N80-2008-45 | PAN HEAD TAPTITE SCREW | |
| D | 2D | | N83-3005-46 | PAN HEAD TAPTITE SCREW | |
| H | 2D | | N29-0205-04 | RETAINING RING | |
| 244 | 1C | | T90-0523-05 | ANTENNA ADAPTOR | M3 |
| DME1 | 1D | * | X92-4840-00 | MECHANISM ASSY (DXM-6200W) | |
| SWITCH UNIT (X16-2460-21) | | | | | |
| 245 | 2C | * | B11-1436-04 | OPTICAL DIFFUSER | M3 |
| 246 | 2C | * | B11-1437-04 | REFLECTION SHEET | M3 |
| 248 | 2C | * | B19-2242-03 | LIGHTING BOARD | M3 |
| D1 | | | B30-1633-05 | LED (WHITE) | M3 |
| D2 | | | B30-1567-05 | LED (1608,RED) | M3 |
| D3,4 | | | B30-1564-05 | LED (1608,BLUE) | M3 |
| D11-19 | | | B30-1567-05 | LED (1608,RED) | M3 |
| D21-29 | | | B30-1533-05 | LED (1608,PG) | M3 |
| ED1 | 2C | * | B38-1145-05 | LIQUID CRYSTAL | M3 |
| C1 | | | CK73GB1H102K | CHIP C 1000PF K | M3 |
| C2 | | | CK73GB1H103K | CHIP C 0.010UF K | M3 |
| C3,4 | | | CK73GB1E473K | CHIP C 0.047UF K | M3 |
| C5 | | | CK73FB1A225K | CHIP C 2.2UF K | M3 |
| C11-13 | | | CK73GB1H103K | CHIP C 0.010UF K | M3 |
| 249 | 2C | * | E29-1965-04 | CONDUCTIVE RUBBER | M3 |
| 250 | 2C | * | E29-1966-04 | CONDUCTIVE RUBBER | M3 |
| J1 | | | E59-0828-05 | RECTANGULAR PLUG (15PIN) | M3 |
| R1 | | | RK73GB2A563J | CHIP R 56K J 1/10W | M3 |
| R2 | | | RK73GB2A4R7J | CHIP R 4.7 J 1/10W | M3 |
| R3 | | | RK73GB2A472J | CHIP R 4.7K J 1/10W | M3 |
| R4 | | | RK73GB2A473J | CHIP R 47K J 1/10W | M3 |
| R5 | | | RK73GB2A102J | CHIP R 1.0K J 1/10W | M3 |
| R6-8 | | | RK73GB2A471J | CHIP R 470 J 1/10W | M3 |

K2 : KDC-205
M1 : KDC-2026

K4 : KDC-205CR
M2 : KDC-226

M : KDC-3026
M3 : KDC-3026R

△ Indicates safety critical components.

PARTS LIST

* New parts

Parts without **Parts No.** are not supplied.

Les articles non mentionnés dans le **Parts No.** ne sont pas fournis.

Teile ohne **Parts No.** werden nicht geliefert.

SWITCH UNIT (X16-2460-21)

| Ref. No. | Add | New | Parts No. | Description | Destination |
|----------------------------------|-----|-----|--------------|----------------------|-------------|
| R9 | | | RK73GB2A102J | CHIP R 1.0K J 1/10W | M3 |
| R10 | | | RK73GB2A470J | CHIP R 47 J 1/10W | M3 |
| R11 | | | RK73GB2A102J | CHIP R 1.0K J 1/10W | M3 |
| R12,13 | | | RK73GB2A222J | CHIP R 2.2K J 1/10W | M3 |
| R21,22 | | | RK73FB2B221J | CHIP R 220 J 1/8W | M3 |
| R23 | | | RK73FB2B431J | CHIP R 430 J 1/8W | M3 |
| R24 | | | RK73FB2B271J | CHIP R 270 J 1/8W | M3 |
| R25 | | | RK73FB2B301J | CHIP R 300 J 1/8W | M3 |
| R31-33 | | | RK73FB2B331J | CHIP R 330 J 1/8W | M3 |
| W1 | | | R92-1252-05 | CHIP R 0 OHM J 1/16W | M3 |
| D31-35 | | | RD5.6S | ZENER DIODE | M3 |
| D31-35 | | | UDZS5.6B | ZENER DIODE | M3 |
| IC1 | | | LC75883E | MOS-IC | M3 |
| IC2 | | | RS-171 | ANALOGUE IC | M3 |
| Q1 | | | DTA114EE | DIGITAL TRANSISTOR | M3 |
| Q2,3 | | * | 2SC4617 | TRANSISTOR | M3 |
| SWITCH UNIT (X16-2470-xx) | | | | | |
| 245 | 2C | * | B11-1435-04 | OPTICAL DIFFUSER | M1M2 |
| 245 | 2C | * | B11-1436-04 | OPTICAL DIFFUSER | K2 |
| 245 | 2C | * | B11-1436-04 | OPTICAL DIFFUSER | K4M |
| 246 | 2C | * | B11-1437-04 | REFLECTION SHEET | K2 |
| 246 | 2C | * | B11-1437-04 | REFLECTION SHEET | K4M |
| 246 | 2C | * | B11-1437-04 | REFLECTION SHEET | M1M2 |
| 248 | 2C | * | B19-2242-03 | LIGHTING BOARD | K2 |
| 248 | 2C | * | B19-2242-03 | LIGHTING BOARD | K4M |
| 248 | 2C | * | B19-2242-03 | LIGHTING BOARD | M1M2 |
| D1 | | | B30-1633-05 | LED (WHITE) | K2 |
| D1 | | | B30-1633-05 | LED (WHITE) | M2 |
| D1 | | | B30-1641-05 | LED | K4 |
| D2 | | | B30-1567-05 | LED (1608,RED) | K2 |
| D2 | | | B30-1567-05 | LED (1608,RED) | K4M1 |
| D2 | | | B30-1567-05 | LED (1608,RED) | M2 |
| D2-6 | | | B30-1567-05 | LED (1608,RED) | M |
| D3-6 | | * | B30-1687-05 | LED (1608, GRN) | M1M2 |
| D3,4 | | | B30-1564-05 | LED (1608,BLUE) | K2 |
| D3,4 | | | B30-1564-05 | LED (1608,BLUE) | K4 |
| D11-19 | | | B30-1533-05 | LED (1608,PG) | M1M2 |
| D11-19 | | | B30-1567-05 | LED (1608,RED) | K2 |
| D11-19 | | | B30-1567-05 | LED (1608,RED) | K4M |
| ED1 | 2C | * | B38-1138-05 | LIQUID CRYSTAL | K2M |
| ED1 | 2C | * | B38-1139-05 | LIQUID CRYSTAL | K2 |
| ED1 | 2C | * | B38-1140-05 | LIQUID CRYSTAL | M1M2 |
| C1 | | | CK73GB1H102K | CHIP C 1000PF K | K2 |
| C1 | | | CK73GB1H102K | CHIP C 1000PF K | K4M |
| C1 | | | CK73GB1H102K | CHIP C 1000PF K | M1M2 |
| C2 | | | CK73GB1H103K | CHIP C 0.010UF K | K2 |
| C2 | | | CK73GB1H103K | CHIP C 0.010UF K | K4M |
| C2 | | | CK73GB1H103K | CHIP C 0.010UF K | M1M2 |
| C3,4 | | | CK73GB1E473K | CHIP C 0.047UF K | K2 |
| C3,4 | | | CK73GB1E473K | CHIP C 0.047UF K | K4M |
| C3,4 | | | CK73GB1E473K | CHIP C 0.047UF K | M1M2 |
| C3,4 | | | CK73GB1E473K | CHIP C 0.047UF K | M1M2 |
| C5 | | | CK73FB1A225K | CHIP C 2.2UF K | K4M |

| Ref. No. | Add | New | Parts No. | Description | Destination |
|----------|-----|-----|--------------|--------------------------|-------------|
| C5 | | | CK73FB1A225K | CHIP C 2.2UF K | M1 |
| C11 | | | CK73GB1H103K | CHIP C 0.010UF K | MM1 |
| C11 | | | CK73GB1H103K | CHIP C 0.010UF K | M2 |
| C11-13 | | | CK73GB1H103K | CHIP C 0.010UF K | K2 |
| C11-13 | | | CK73GB1H103K | CHIP C 0.010UF K | K4 |
| 249 | 2C | * | E29-1965-04 | CONDUCTIVE RUBBER | K2 |
| 249 | 2C | * | E29-1965-04 | CONDUCTIVE RUBBER | K4M |
| 249 | 2C | * | E29-1965-04 | CONDUCTIVE RUBBER | M1M2 |
| 249 | 2C | * | E29-1966-04 | CONDUCTIVE RUBBER | K2 |
| 249 | 2C | * | E29-1966-04 | CONDUCTIVE RUBBER | K4M |
| 249 | 2C | * | E29-1966-04 | CONDUCTIVE RUBBER | M1M2 |
| J1 | | | E59-0828-05 | RECTANGULAR PLUG (15PIN) | K2 |
| J1 | | | E59-0828-05 | RECTANGULAR PLUG (15PIN) | K4M |
| J1 | | | E59-0828-05 | RECTANGULAR PLUG (15PIN) | M1M2 |
| R1 | | | RK73GB2A563J | CHIP R 56K J 1/10W | K2 |
| R1 | | | RK73GB2A563J | CHIP R 56K J 1/10W | K4M |
| R1 | | | RK73GB2A563J | CHIP R 56K J 1/10W | M1M2 |
| R2 | | | RK73GB2A4R7J | CHIP R 4.7 J 1/10W | K2 |
| R2 | | | RK73GB2A4R7J | CHIP R 4.7 J 1/10W | K4M |
| R2 | | | RK73GB2A4R7J | CHIP R 4.7 J 1/10W | M1M2 |
| R3 | | | RK73GB2A472J | CHIP R 4.7K J 1/10W | K2 |
| R3 | | | RK73GB2A472J | CHIP R 4.7K J 1/10W | K4M |
| R3 | | | RK73GB2A472J | CHIP R 4.7K J 1/10W | M1M2 |
| R6-8 | | | RK73GB2A471J | CHIP R 470 J 1/10W | K2 |
| R6-8 | | | RK73GB2A471J | CHIP R 470 J 1/10W | K4M |
| R6-8 | | | RK73GB2A471J | CHIP R 470 J 1/10W | M1M2 |
| R9 | | | RK73GB2A102J | CHIP R 1.0K J 1/10W | K2 |
| R9 | | | RK73GB2A102J | CHIP R 1.0K J 1/10W | K4M |
| R9 | | | RK73GB2A102J | CHIP R 1.0K J 1/10W | M1M2 |
| R10 | | | RK73GB2A470J | CHIP R 47 J 1/10W | K4M |
| R10 | | | RK73GB2A470J | CHIP R 47 J 1/10W | M1 |
| R11 | | | RK73GB2A102J | CHIP R 1.0K J 1/10W | K4M |
| R11 | | | RK73GB2A102J | CHIP R 1.0K J 1/10W | M1 |
| R21,22 | | | RK73FB2B221J | CHIP R 220 J 1/8W | K2 |
| R21,22 | | | RK73FB2B221J | CHIP R 220 J 1/8W | K4M |
| R21,22 | | | RK73FB2B221J | CHIP R 220 J 1/8W | M1M2 |
| R23 | | | RK73FB2B431J | CHIP R 430 J 1/8W | K2 |
| R23 | | | RK73FB2B431J | CHIP R 430 J 1/8W | K4 |
| R24 | | | RK73FB2B271J | CHIP R 270 J 1/8W | K2 |
| R24 | | | RK73FB2B271J | CHIP R 270 J 1/8W | K4 |
| R25 | | | RK73FB2B301J | CHIP R 300 J 1/8W | K2 |
| R25 | | | RK73FB2B301J | CHIP R 300 J 1/8W | K4 |
| R26 | | | RK73FB2B361J | CHIP R 360 J 1/8W | M1M2 |
| R26 | | | RK73FB2B391J | CHIP R 390 J 1/8W | M |
| R27,28 | | | RK73FB2B271J | CHIP R 270 J 1/8W | MM1 |
| R27,28 | | | RK73FB2B271J | CHIP R 270 J 1/8W | M2 |
| R31-33 | | | RK73FB2B331J | CHIP R 330 J 1/8W | M1M2 |
| R31-33 | | | RK73FB2B391J | CHIP R 390 J 1/8W | K2 |
| R31-33 | | | RK73FB2B391J | CHIP R 390 J 1/8W | K4M |
| D32-35 | | | RD5.6S | ZENER DIODE | K2 |
| D32-35 | | | RD5.6S | ZENER DIODE | K4M |
| D32-35 | | | RD5.6S | ZENER DIODE | M1M2 |
| D32-35 | | | UDZS5.6B | ZENER DIODE | K2 |
| D32-35 | | | UDZS5.6B | ZENER DIODE | K4M |

K2 : KDC-205
M1 : KDC-2026

K4 : KDC-205CR
M2 : KDC-226

M : KDC-3026
M3 : KDC-3026R

△ Indicates safety critical components.

PARTS LIST

* New parts

Parts without **Parts No.** are not supplied.

Les articles non mentionnés dans le **Parts No.** ne sont pas fournis.

Teile ohne **Parts No.** werden nicht geliefert.

SWITCH UNIT (X16-2470-xx)

| Ref. No. | A d d | N e w | Parts No. | Description | Desti- nation |
|----------|-------------|-------------|-----------|--------------------|------------------|
| D32-35 | | | UDZS5.6B | ZENER DIODE | M1M2 |
| IC1 | | | LC75853NE | MOS-IC | K2 |
| IC1 | | | LC75853NE | MOS-IC | K4M |
| IC1 | | | LC75853NE | MOS-IC | M1M2 |
| IC2 | | | RS-171 | ANALOGUE IC | K4M |
| IC2 | | | RS-171 | ANALOGUE IC | M1 |
| Q1 | | | DTA114EE | DIGITAL TRANSISTOR | K2 |
| Q1 | | | DTA114EE | DIGITAL TRANSISTOR | K4M |
| Q1 | | | DTA114EE | DIGITAL TRANSISTOR | M1M2 |

CD PLAYER UNIT (X32-5490-00)

| | | | | | |
|--------|--|---|---------------|------------------------------|---------|
| C1,2 | | | CK73GB1H222K | CHIP C 2200PF | K |
| C3 | | | CK73FB1A225K | CHIP C 2.2UF | K |
| C4 | | | CK73GB1C104K | CHIP C 0.10UF | K |
| C6-9 | | | CK73GB1C104K | CHIP C 0.10UF | K |
| C10 | | | CK73GB1H103K | CHIP C 0.010UF | K |
| C11 | | | CK73GB0J105K | CHIP C 1.0UF | K |
| C12 | | | CK73GB1C104K | CHIP C 0.10UF | K |
| C13 | | | CK73FB0J106M | CHIP C 10UF | M |
| C14 | | | CK73GB1H152K | CHIP C 1500PF | K |
| C15 | | | CK73GB1H102K | CHIP C 1000PF | K |
| C16,17 | | | CK73GB0J105K | CHIP C 1.0UF | K |
| C18,19 | | | CK73GB1C104K | CHIP C 0.10UF | K |
| C20 | | | CK73FB0J106M | CHIP C 10UF | M |
| C21 | | | CK73GB1C104K | CHIP C 0.10UF | K |
| C22 | | | CK73GB1H682K | CHIP C 6800PF | K |
| C23 | | | CC73GCH1H470J | CHIP C 47PF | J |
| C24 | | | CC73GCH1H560J | CHIP C 56PF | J |
| C25-27 | | | CK73GB1C104K | CHIP C 0.10UF | K |
| C28 | | | CK73FB1A225K | CHIP C 2.2UF | K |
| C29 | | | CK73GB1H682K | CHIP C 6800PF | K |
| C30 | | | CK73GB1C104K | CHIP C 0.10UF | K |
| C31 | | | CK73GB0J105K | CHIP C 1.0UF | K |
| C32 | | | CC73GCH1H040C | CHIP C 4.0PF | C |
| C33 | | | CK73GB1H332K | CHIP C 3300PF | K |
| C34 | | | CK73GB1C104K | CHIP C 0.10UF | K |
| C35 | | | CK73GB1H331K | CHIP C 330PF | K |
| C36 | | | CK73GB1H472K | CHIP C 4700PF | K |
| C37 | | | CK73GB1H331K | CHIP C 330PF | K |
| C38 | | | CK73GB1H152K | CHIP C 1500PF | K |
| C39 | | | CC73GCH1H330J | CHIP C 33PF | J |
| C40 | | | CK73GB1C104K | CHIP C 0.10UF | K |
| C41,42 | | | CK73GB1H103K | CHIP C 0.010UF | K |
| C43-46 | | | CK73GB1H152K | CHIP C 1500PF | K |
| CN1 | | * | E41-2068-05 | FLAT CABLE CONNECTOR (16PIN) | |
| CN1 | | * | E41-2085-05 | FLAT CABLE CONNECTOR (22PIN) | |
| CN2 | | * | E41-2082-05 | FLAT CABLE CONNECTOR | |
| L1 | | | L92-0329-05 | CHIP FERRITE | |
| X1 | | | L78-0867-05 | RESONATOR (4.19MHZ) | |
| X2 | | | L78-0851-05 | RESONATOR (16.934MHZ) | |
| CP1 | | | RK74GA1J101J | CHIP-COM 100 | J 1/16W |
| CP3 | | | RK74GA1J101J | CHIP-COM 100 | J 1/16W |
| CP4 | | | RK74GA1J104J | CHIP-COM 100K | J 1/16W |
| CP5 | | * | RK74GB1J102J | CHIP-COM 1.0K | J 1/16W |
| CP6 | | * | RK74GA1J102J | CHIP-COM 1.0K | J 1/16W |

| Ref. No. | A d d | N e w | Parts No. | Description | Desti- nation |
|----------|-------------|-------------|----------------|--------------------|------------------|
| CP7 | | | RK74GB1J103J | CHIP-COM 10K | J 1/16W |
| CP8 | | | RK74GB1J472J | CHIP-COM 4.7K | J 1/16W |
| R1,2 | | | RK73FB2B331J | CHIP R 330 | J 1/8W |
| R3 | | | RK73GB2A102J | CHIP R 1.0K | J 1/10W |
| R6 | | | RK73GB2A104J | CHIP R 100K | J 1/10W |
| R7,8 | | | RK73GB2A103J | CHIP R 10K | J 1/10W |
| R9 | | | RK73GB2A104J | CHIP R 100K | J 1/10W |
| R10 | | | R92-3494-05 | CHIP R 5.6 | J 1/2W |
| R11 | | | RK73GB2A102J | CHIP R 1.0K | J 1/10W |
| R12 | | | RK73GB2A104J | CHIP R 100K | J 1/10W |
| R13-15 | | | RK73GB2A101J | CHIP R 100 | J 1/10W |
| R16 | | | RK73GB2A102J | CHIP R 1.0K | J 1/10W |
| R17,18 | | | RK73GB2A4R7J | CHIP R 4.7 | J 1/10W |
| R19 | | | RK73GB2A101J | CHIP R 100 | J 1/10W |
| R20 | | | RK73GB2A472J | CHIP R 4.7K | J 1/10W |
| R22 | | | RK73GB2A104J | CHIP R 100K | J 1/10W |
| R23 | | | RK73FB2B4R7J | CHIP R 4.7 | J 1/8W |
| R24 | | | RK73GB2A104J | CHIP R 100K | J 1/10W |
| R25 | | | RK73GB2A393J | CHIP R 39K | J 1/10W |
| R26 | | | RK73GB2A274J | CHIP R 270K | J 1/10W |
| R27,28 | | | RK73GB2A302J | CHIP R 3.0K | J 1/10W |
| R29,30 | | | RK73GB2A101J | CHIP R 100 | J 1/10W |
| R31 | | | RK73GB2A133J | CHIP R 13K | J 1/10W |
| R32 | | | RK73GB2A102J | CHIP R 1.0K | J 1/10W |
| R33 | | | RK73GB2A392J | CHIP R 3.9K | J 1/10W |
| R34 | | | RK73GB2A123J | CHIP R 12K | J 1/10W |
| R35 | | | RK73GB2A133J | CHIP R 13K | J 1/10W |
| R36,37 | | | RK73GB2A123J | CHIP R 12K | J 1/10W |
| R38 | | | RK73GB2A432J | CHIP R 4.3K | J 1/10W |
| R39 | | | RK73GB2A163J | CHIP R 16K | J 1/10W |
| R40 | | | RK73GB2A133J | CHIP R 13K | J 1/10W |
| R41 | | | RK73GB2A472J | CHIP R 4.7K | J 1/10W |
| R42 | | | RK73GB2A183J | CHIP R 18K | J 1/10W |
| R43 | | | RK73GB2A333J | CHIP R 33K | J 1/10W |
| R44 | | | RK73GB2A103J | CHIP R 10K | J 1/10W |
| R45 | | | RK73GB2A241J | CHIP R 240 | J 1/10W |
| R46,47 | | | RK73GB2A562J | CHIP R 5.6K | J 1/10W |
| S1,2 | | | S68-0863-05 | PUSH SWITCH | |
| S3 | | | S68-0862-05 | PUSH SWITCH | |
| D2 | | * | DAN202UF | DIODE | |
| IC1 | | * | 789166YGB-A513 | MICROCONTROLLER IC | |
| IC2 | | * | NJM2880U133 | ANALOGUE IC | |
| IC3 | | * | UPD63712GC | MOS-IC | |
| IC4 | | * | BA5824FP-F | ANALOGUE IC | |
| Q2 | | * | DTA114YUAF | DIGITAL TRANSISTOR | |
| Q3 | | | 2SB0970 | TRANSISTOR | |
| Q4 | | * | DTC114YUAF | DIGITAL TRANSISTOR | |

ELECTRIC UNIT (X34-3100-21/X34-3110-xx)

| | | | | | | |
|-----|--|---|--------------|----------------|------|----|
| C1 | | | C94-0216-05 | ELECTRO 3300UF | 16WV | |
| C21 | | | CK73GB1H103K | CHIP C 0.010UF | K | |
| C30 | | | CK73GB1H103K | CHIP C 0.010UF | K | M3 |
| C40 | | | CK73GB1H103K | CHIP C 0.010UF | K | |
| C50 | | * | CD04AS1E100M | ELECTRO 10UF | 25WV | K2 |

K2 : KDC-205
M1 : KDC-2026

K4 : KDC-205CR
M2 : KDC-226

M : KDC-3026
M3 : KDC-3026R

△ Indicates safety critical components.

PARTS LIST

* New parts

Parts without **Parts No.** are not supplied.

Les articles non mentionnés dans le **Parts No.** ne sont pas fournis.

Teile ohne **Parts No.** werden nicht geliefert.

ELECTRIC UNIT (X34-3100-21/X34-3110-xx)

| Ref. No. | Add | New | Parts No. | Description | Destination | Ref. No. | Add | New | Parts No. | Description | Destination |
|----------|-----|-----|---------------|---------------------|-------------|----------|-----|-----|---------------|---------------------|-------------|
| C50 | | * | CD04AS1E100M | ELECTRO 10UF 25WV | K4M3 | C523 | | | CC73GCH1H270J | CHIP C 27PF J | |
| C50,51 | | * | CD04AS1E100M | ELECTRO 10UF 25WV | MM1M2 | C524 | | | CC73GCH1H101J | CHIP C 100PF J | |
| C52-54 | | * | CD04AS1C100M | ELECTRO 10UF 16WV | | C525 | | | CK73GB1H103K | CHIP C 0.010UF K | |
| C55 | | | CD04AS1E100M | ELECTRO 10UF 25WV | | C526 | | | CC73GCH1H050C | CHIP C 5.0PF C | |
| C56 | | | CD04AT1H100M | ELECTRO 10UF 50WV | | C528 | | | CC73GCH1H060D | CHIP C 6.0PF D | |
| C57 | | | C90-2980-05 | ELECTRO 220UF 16WV | | C530 | | | CC73GCH1H040C | CHIP C 4.0PF C | |
| C58 | | | C90-2962-05 | ELECTRO 100UF 16WV | | C531 | | | CK73FB1C105K | CHIP C 1.0UF K | |
| C63 | | * | CD04AS1C220M | ELECTRO 22UF 16WV | | C533,534 | | | CK73GB1H103K | CHIP C 0.010UF K | |
| C101 | | * | CD04AS0J101M | ELECTRO 100UF 6.3WV | | C535 | | | CC73GCH1H020C | CHIP C 2.0PF C | |
| C102 | | | CK73GB1H103K | CHIP C 0.010UF K | | C536 | | | CC73GCH1H040C | CHIP C 4.0PF C | |
| C103 | | | CK73GB1C104K | CHIP C 0.10UF K | | C537,538 | | | CC73GCH1H080D | CHIP C 8.0PF D | |
| C104,105 | | | CC73GCH1H150J | CHIP C 15PF J | | C541 | | | CC73GCH1H040C | CHIP C 4.0PF C | |
| C106 | | | CK73GB1H102K | CHIP C 1000PF K | M3 | C542 | | | CC73GCH1H220J | CHIP C 22PF J | |
| C106 | | | CK73GB1H152K | CHIP C 1500PF K | K2 | C543 | | | CC73GCH1H680J | CHIP C 68PF J | |
| C106 | | | CK73GB1H152K | CHIP C 1500PF K | K4M | C544 | | | CC73GCH1H150J | CHIP C 15PF J | |
| C106 | | | CK73GB1H152K | CHIP C 1500PF K | M1M2 | C545 | | | CK73GB1H682K | CHIP C 6800PF K | |
| C142 | | | CK73GB1C104K | CHIP C 0.10UF K | | C546 | | | CK73GB1H103K | CHIP C 0.010UF K | |
| C204,205 | | * | CD04AS1H2R2M | ELECTRO 2.2UF 50WV | | C547 | | | CD04AT1A100M | ELECTRO 10UF 10WV | |
| C223,224 | | * | CD04AS1C100M | ELECTRO 10UF 16WV | | C548 | | | CK73GB1E223K | CHIP C 0.022UF K | |
| C226,227 | | | CC73GCH1H681J | CHIP C 680PF J | M3 | C549 | | | CK73GB1H222K | CHIP C 2200PF K | |
| C251-254 | | | C94-0179-05 | ELECTRO 0.22UF 50WV | | C550 | | | CK73GB1E333K | CHIP C 0.033UF K | |
| C255 | | * | CD04AS1H010M | ELECTRO 1UF 50WV | | C551,552 | | | CK73GB1H103K | CHIP C 0.010UF K | |
| C256 | | * | CD04AS1A101M | ELECTRO 100UF 10WV | K4M2 | C553 | | | CK73GB1E473K | CHIP C 0.047UF K | M3 |
| C256 | | * | CD04AS1A330M | ELECTRO 33UF 10WV | K2 | C553,554 | | | CK73GB1C104K | CHIP C 0.10UF K | K2 |
| C256 | | * | CD04AS1A330M | ELECTRO 33UF 10WV | MM1 | C553,554 | | | CK73GB1C104K | CHIP C 0.10UF K | K4M |
| C256 | | * | CD04AS1A330M | ELECTRO 33UF 10WV | M3 | C553,554 | | | CK73GB1C104K | CHIP C 0.10UF K | M1M2 |
| C257 | | * | CD04AS1H010M | ELECTRO 1UF 50WV | | C554 | | | CK73GB1C104K | CHIP C 0.10UF K | M3 |
| C258 | | | C90-5663-05 | ELECTRO 1UF 50WV | | C555,556 | | | CK73GB1H102K | CHIP C 1000PF K | |
| C351 | | | CD04AT0J100M | ELECTRO 10UF 6.3WV | M3 | C560 | | | CC73GCH1H101J | CHIP C 100PF J | |
| C352 | | | CC73GCH1H331J | CHIP C 330PF J | M3 | C561 | | | CD04AT1H010M | ELECTRO 1UF 50WV | |
| C353 | | | CD04AT0J100M | ELECTRO 10UF 6.3WV | M3 | C562 | | | CD04AT1A100M | ELECTRO 10UF 10WV | |
| C354 | | | CK73GB1H103K | CHIP C 0.010UF K | M3 | C563 | | | CD04AT1HR47M | ELECTRO 0.47UF 50WV | |
| C355,356 | | | CC73GCH1H100D | CHIP C 10PF D | M3 | C564 | | | CK73GB1A474K | CHIP C 0.47UF K | |
| C401,402 | | | CD04AT1H010M | ELECTRO 1UF 50WV | MM1 | C565 | | * | CD04AS1A470M | ELECTRO 47UF 10WV | |
| C401,402 | | | CD04AT1H010M | ELECTRO 1UF 50WV | M3 | C568 | | | CC73GCH1H221J | CHIP C 220PF J | M3 |
| C403 | | | CD04AT1A101M | ELECTRO 100UF 10WV | MM1 | C568 | | | CC73GCH1H821J | CHIP C 820PF J | K2 |
| C403 | | | CD04AT1A101M | ELECTRO 100UF 10WV | M3 | C568 | | | CC73GCH1H821J | CHIP C 820PF J | K4M |
| C404 | | | CK73GB1H103K | CHIP C 0.010UF K | MM1 | C568 | | | CC73GCH1H821J | CHIP C 820PF J | M1M2 |
| C404 | | | CK73GB1H103K | CHIP C 0.010UF K | M3 | C580 | | | CK73GB1H103K | CHIP C 0.010UF K | |
| C502 | | | CK73GB1H152K | CHIP C 1500PF K | | C581 | | | CC73GCH1H020C | CHIP C 2.0PF C | |
| C503 | | | CK73GB1C104K | CHIP C 0.10UF K | | C582,583 | | | CK73GB1C104K | CHIP C 0.10UF K | |
| C504 | | | CK73GB1H103K | CHIP C 0.010UF K | | C584 | | * | CD04AT1C4R7M | ELECTRO 4.7UF 16WV | |
| C505 | | * | CD04AT1C4R7M | ELECTRO 4.7UF 16WV | | C585 | | | CK73GB1H103K | CHIP C 0.010UF K | |
| C506 | | | CK73GB1C104K | CHIP C 0.10UF K | | C586 | | | CK73GB1C104K | CHIP C 0.10UF K | |
| C507 | | | CD04AT1A330M | ELECTRO 33UF 10WV | | C587 | | | CK73GB1H103K | CHIP C 0.010UF K | K2 |
| C508 | | | CD04AT1A220M | ELECTRO 22UF 10WV | | C587 | | | CK73GB1H103K | CHIP C 0.010UF K | K4M |
| C509 | | | CC73GCH1H680J | CHIP C 68PF J | | C587 | | | CK73GB1H103K | CHIP C 0.010UF K | M1M2 |
| C510 | | | CC73GCH1H101J | CHIP C 100PF J | | C587 | | | CK73GB1H821K | CHIP C 820PF K | M3 |
| C511 | | | CK73GB1H103K | CHIP C 0.010UF K | | C588 | | | CK73GB1A474K | CHIP C 0.47UF K | |
| C512 | | * | CD04AT1C4R7M | ELECTRO 4.7UF 16WV | | C589 | | | CK73GB1C104K | CHIP C 0.10UF K | K2 |
| C513,514 | | | CK73GB1H103K | CHIP C 0.010UF K | | C589 | | | CK73GB1C104K | CHIP C 0.10UF K | K4M |
| C515 | | | CK73FB1C105K | CHIP C 1.0UF K | | C589 | | | CK73GB1C104K | CHIP C 0.10UF K | M1M2 |
| C516 | | | CC73GCH1H100D | CHIP C 10PF D | | C590 | | | CK73GB1C104K | CHIP C 0.10UF K | M3 |
| C521 | | | CK73GB1C104K | CHIP C 0.10UF K | | C591 | | | CD04AT1A330M | ELECTRO 33UF 10WV | |
| C522 | | | CC73GCH1H330J | CHIP C 33PF J | | C592 | | | CK73GB1H103K | CHIP C 0.010UF K | M3 |

K2 : KDC-205
M1 : KDC-2026

K4 : KDC-205CR
M2 : KDC-226

M : KDC-3026
M3 : KDC-3026R

△ Indicates safety critical components.

PARTS LIST

* New parts

Parts without **Parts No.** are not supplied.

Les articles non mentionnés dans le **Parts No.** ne sont pas fournis.

Teile ohne **Parts No.** werden nicht geliefert.

ELECTRIC UNIT (X34-3100-21/X34-3110-xx)

| Ref. No. | A d | N e w | Parts No. | Description | Desti- nation |
|--|--------|-------------|--|---|-------------------------------|
| C593 C600 | | | CK73FB1C105K CD04AT1A101M | CHIP C 1.0UF K ELECTRO 100UF 10WV | |
| CN1 J1 J2 J3 J4 | | | E40-9550-05 E04-0312-05 E58-0863-15 E58-0879-05 E56-0834-05 | FLAT CABLE CONNECTOR (22PIN) RF COAXIAL CABLE RECEPTACLE RECTANGULAR RECEPTACLE RECTANGULAR RECEPTACLE CYLINDRICAL RECEPTACLE | MM1 |
| J4 J5 P1 WH1 | | * | E56-0834-05 E63-0852-05 E23-0745-05 E39-0532-05 | CYLINDRICAL RECEPTACLE PIN JACK TERMINAL WIRING HARNESS | M3 M |
| CF51 CF51-53 CF51-53 CF51-53 CF52,53 | | | L72-0781-05 L72-0781-05 L72-0781-05 L72-0781-05 L72-0716-05 | CERAMIC FILTER CERAMIC FILTER CERAMIC FILTER CERAMIC FILTER CERAMIC FILTER | M3 K2 K4M M1M2 M3 |
| CF54 L1 L2 L4 L101 | | | L72-0743-05 L33-1170-05 L33-1807-05 L33-1123-05 L40-4795-91 | CERAMIC FILTER CHOKO COIL ASSY CHOKO COIL LINE FILTER COIL SMALL FIXED INDUCTOR (4.7UH,J) | |
| L501 L502 L503 L504 L505 | | | L40-6891-58 L40-3301-58 L40-1021-56 L40-1011-58 L31-0967-05 | SMALL FIXED INDUCTOR SMALL FIXED INDUCTOR (33U) SMALL FIXED INDUCTOR (1MH) SMALL FIXED INDUCTOR FM-RF COIL | |
| L506 L507 L508 L509 L510 | | | L31-0970-05 L32-0936-05 L30-0770-05 L30-0773-05 L40-4795-91 | FM-RF COIL FM OSCILLATING COIL FM IFT AM IFT SMALL FIXED INDUCTOR (4.7UH,J) | |
| L512-514 L516,517 X1 X2 X501 | | | L40-4795-91 L40-4795-91 L77-1167-05 L77-2002-05 L77-2077-05 | SMALL FIXED INDUCTOR (4.7UH,J) SMALL FIXED INDUCTOR (4.7UH,J) CRYSTAL RESONATOR (4.19M) CRYSTAL RESONATOR (4.332MHz) CRYSTAL RESONATOR (10.25MHz) | M3 |
| D E F G | | | N83-3005-46 N80-3010-46 N83-3020-46 N86-2606-46 | PAN HEAD TAPTITE SCREW PAN HEAD TAPTITE SCREW PAN HEAD TAPTITE SCREW BINDING HEAD TAPTITE SCREW | |
| CP1 CP2 CP3 R10 R11 | | | R90-1049-05 R90-1047-05 R90-1046-05 RK73FB2B303J RK73GB2A103J | MULTI-COMP 10K X2 MULTI-COMP 2.2K X2 MULTI-COMP 1K X2 CHIP R 30K J 1/8W CHIP R 10K J 1/10W | |
| R12 R20 R21 R22 R23 | | | RK73GB2A104J RD14DB2H332J RD14BB2C333J RK73GB2A103J RK73GB2A104J | CHIP R 100K J 1/10W SMALL-RD 3.3K J 1/2W RD 33K J 1/6W CHIP R 10K J 1/10W CHIP R 100K J 1/10W | |
| R25 R25 R28 R30 | | | RD14BB2C472J RD14BB2C472J RD14BB2C472J RD14BB2C103J | RD 4.7K J 1/6W RD 4.7K J 1/6W RD 4.7K J 1/6W RD 10K J 1/6W | MM1M2 M3 M3 |

| Ref. No. | A d | N e w | Parts No. | Description | Desti- nation |
|--|--------|-------------|--|---|-------------------------------|
| R31 R32 R50 R51 R57 | | | RK73GB2A473J RK73GB2A223J RD14BB2C562J RK73GB2A473J RK73FB2B152J | CHIP R 47K J 1/10W CHIP R 22K J 1/10W RD 5.6K J 1/6W CHIP R 47K J 1/10W CHIP R 1.5K J 1/8W | M3 M3 |
| R58 R67-69 R68,69 R68,69 R71 | | | RD14BB2C471J RK73GB2A103J RK73GB2A103J RK73GB2A103J RK73GB2A823J | RD 470 J 1/6W CHIP R 10K J 1/10W CHIP R 10K J 1/10W CHIP R 10K J 1/10W CHIP R 82K J 1/10W | MM1M2 K2 K4M3 |
| R72 R73 R101 R102-104 R103,104 | | | RK73GB2A363J RK73GB2A104J RD14BB2C241J RK73GB2A102J RK73GB2A102J | CHIP R 36K J 1/10W CHIP R 100K J 1/10W RD 240 J 1/6W CHIP R 1.0K J 1/10W CHIP R 1.0K J 1/10W | M3 K2 |
| R103,104 R103,104 R105 R106 R107,108 | | | RK73GB2A102J RK73GB2A102J RK73GB2A471J RK73GB2A104J RK73GB2A222J | CHIP R 1.0K J 1/10W CHIP R 1.0K J 1/10W CHIP R 470 J 1/10W CHIP R 100K J 1/10W CHIP R 2.2K J 1/10W | K4M M1M2 |
| R110 R113,114 R115 R116 R117 | | | RK73GB2A472J RK73GB2A473J RK73GB2A102J RK73GB2A103J RK73GB2A102J | CHIP R 4.7K J 1/10W CHIP R 47K J 1/10W CHIP R 1.0K J 1/10W CHIP R 10K J 1/10W CHIP R 1.0K J 1/10W | |
| R118 R119 R121 R122 R123 | | | RK73GB2A103J RK73GB2A473J RK73GB2A222J RK73GB2A101J RK73GB2A102J | CHIP R 10K J 1/10W CHIP R 47K J 1/10W CHIP R 2.2K J 1/10W CHIP R 100 J 1/10W CHIP R 1.0K J 1/10W | |
| R125 R126 R127 R128 R129,130 | | | RK73GB2A102J RK73GB2A104J RK73GB2A222J RK73GB2A225J RK73GB2A222J | CHIP R 1.0K J 1/10W CHIP R 100K J 1/10W CHIP R 2.2K J 1/10W CHIP R 2.2M J 1/10W CHIP R 2.2K J 1/10W | |
| R131 R132 R133 R134 R135 | | | RK73GB2A682J RK73GB2A222J RK73GB2A123J RD14BB2C222J RK73GB2A473J | CHIP R 6.8K J 1/10W CHIP R 2.2K J 1/10W CHIP R 12K J 1/10W RD 2.2K J 1/6W CHIP R 47K J 1/10W | M3 K2K4 |
| R135 R136,137 R137 R138,139 R138,139 | | | RK73GB2A473J RK73GB2A473J RK73GB2A473J RK73GB2A473J RK73GB2A473J | CHIP R 47K J 1/10W CHIP R 47K J 1/10W CHIP R 47K J 1/10W CHIP R 47K J 1/10W CHIP R 47K J 1/10W | M2 MM1M3 M2 K2 K4 |
| R139 R139 R141 R143 R144 | | | RK73GB2A473J RK73GB2A473J RD14BB2C472J RD14BB2C472J RK73GB2A104J | CHIP R 47K J 1/10W CHIP R 47K J 1/10W RD 4.7K J 1/6W RD 4.7K J 1/6W CHIP R 100K J 1/10W | MM1M2 M3 |
| R145 R163 R164,165 R166 R167 | | | RD14BB2C222J RD14BB2C100J RD14BB2C471J RD14BB2C102J RD14BB2C101J | RD 2.2K J 1/6W RD 10 J 1/6W RD 470 J 1/6W RD 1.0K J 1/6W RD 100 J 1/6W | |

K2 : KDC-205
M1 : KDC-2026

K4 : KDC-205CR
M2 : KDC-226

M : KDC-3026
M3 : KDC-3026R

△ Indicates safety critical components.

PARTS LIST

* New parts

Parts without **Parts No.** are not supplied.

Les articles non mentionnés dans le **Parts No.** ne sont pas fournis.

Teile ohne **Parts No.** werden nicht geliefert.

ELECTRIC UNIT (X34-3100-21/X34-3110-xx)

| Ref. No. | Add | New | Parts No. | Description | Destination | Ref. No. | Add | New | Parts No. | Description | Destination |
|----------|-----|-----|--------------|---------------------|-------------|----------|-----|-----|--------------|----------------------|-------------|
| R168-170 | | | RD14BB2C102J | RD 1.0K J 1/6W | M3 | R506 | | | RK73GB2A105J | CHIP R 1.0M J 1/10W | |
| R169 | | | RD14BB2C102J | RD 1.0K J 1/6W | K2M2 | R507 | | | RK73GB2A102J | CHIP R 1.0K J 1/10W | |
| R169,170 | | | RD14BB2C102J | RD 1.0K J 1/6W | K4M | R521-524 | | | RK73GB2A104J | CHIP R 100K J 1/10W | |
| R169,170 | | | RD14BB2C102J | RD 1.0K J 1/6W | M1 | R525 | | | RK73GB2A331J | CHIP R 330 J 1/10W | M3 |
| R171 | | | RD14BB2C470J | RD 47 J 1/6W | K4M | R525 | | | RK73GB2A821J | CHIP R 820 J 1/10W | K2 |
| R171 | | | RD14BB2C470J | RD 47 J 1/6W | M1M3 | R525 | | | RK73GB2A821J | CHIP R 820 J 1/10W | K4M |
| R172 | | | RD14BB2C102J | RD 1.0K J 1/6W | | R525 | | | RK73GB2A821J | CHIP R 820 J 1/10W | M1M2 |
| R174 | | | RK73GB2A473J | CHIP R 47K J 1/10W | | R526 | | | RK73GB2A562J | CHIP R 5.6K J 1/10W | |
| R201 | | | RK73GB2A473J | CHIP R 47K J 1/10W | | R527 | | | RK73GB2A104J | CHIP R 100K J 1/10W | |
| R204 | | | RK73GB2A102J | CHIP R 1.0K J 1/10W | M3 | R528 | | | RD14BB2C104J | RD 100K J 1/6W | |
| R205 | | | RK73GB2A472J | CHIP R 4.7K J 1/10W | M3 | R541 | | | RK73GB2A102J | CHIP R 1.0K J 1/10W | M3 |
| R223,224 | | | RK73FB2B271J | CHIP R 270 J 1/8W | | R542 | | | RK73GB2A472J | CHIP R 4.7K J 1/10W | M3 |
| R227,228 | | | RD14BB2C303J | RD 30K J 1/6W | | R543 | | | RK73GB2A562J | CHIP R 5.6K J 1/10W | |
| R231,232 | | | RD14BB2C101J | RD 100 J 1/6W | | R544 | | | RK73GB2A222J | CHIP R 2.2K J 1/10W | |
| R251 | | | RK73GB2A472J | CHIP R 4.7K J 1/10W | K4M2 | R545 | | | RK73GB2A432J | CHIP R 4.3K J 1/10W | |
| R252,253 | | | RD14BB2C472J | RD 4.7K J 1/6W | K4M2 | R546 | | | RK73GB2A333J | CHIP R 33K J 1/10W | |
| R254 | | | RK73GB2A472J | CHIP R 4.7K J 1/10W | K4M2 | R547 | | | RK73GB2A220J | CHIP R 22 J 1/10W | |
| R255 | | | RK73GB2A333J | CHIP R 33K J 1/10W | | R561 | | | RK73GB2A272J | CHIP R 2.7K J 1/10W | |
| R256 | | | RK73FB2B102J | CHIP R 1.0K J 1/8W | K4M2 | R563,564 | | | RK73GB2A103J | CHIP R 10K J 1/10W | |
| R257 | | | RK73GB2A622J | CHIP R 6.2K J 1/10W | | R565 | | | RK73GB2A104J | CHIP R 100K J 1/10W | |
| R258 | | | RK73GB2A101J | CHIP R 100 J 1/10W | K4M2 | R566,567 | | | RK73GB2A102J | CHIP R 1.0K J 1/10W | |
| R258 | | | RK73GB2A221J | CHIP R 220 J 1/10W | K2 | R581 | | * | RK73GB2A102J | CHIP R 1.0K J 1/10W | |
| R258 | | | RK73GB2A221J | CHIP R 220 J 1/10W | MM1 | R585 | | | RD14BB2C1R0J | RD 1.0 J 1/6W | |
| R258 | | | RK73GB2A221J | CHIP R 220 J 1/10W | M3 | W156,157 | | | R92-2053-05 | CHIP R 0 J 1/8W | |
| R259 | | | RD14BB2C223J | RD 22K J 1/6W | | W158 | | | R92-1252-05 | CHIP R 0 OHM J 1/16W | |
| R260 | | | RK73GB2A751J | CHIP R 750 J 1/10W | K4M2 | W160 | | | R92-2052-05 | CHIP R 0 OHM J 1/10W | K2 |
| R261 | | | RK73GB2A100J | CHIP R 10 J 1/10W | K2 | W160 | | | R92-2052-05 | CHIP R 0 OHM J 1/10W | K4 |
| R261 | | | RK73GB2A100J | CHIP R 10 J 1/10W | MM1 | W161,162 | | | R92-2053-05 | CHIP R 0 J 1/8W | |
| R261 | | | RK73GB2A100J | CHIP R 10 J 1/10W | M3 | W165 | | | R92-2053-05 | CHIP R 0 J 1/8W | |
| R261 | | | RK73GB2A431J | CHIP R 430 J 1/10W | K4M2 | W405,406 | | | R92-1252-05 | CHIP R 0 OHM J 1/16W | K2 |
| R263 | | | RK73GB2A184J | CHIP R 180K J 1/10W | K4M2 | W405,406 | | | R92-1252-05 | CHIP R 0 OHM J 1/16W | MM1 |
| R263 | | | RK73GB2A432J | CHIP R 4.3K J 1/10W | K2 | W405,406 | | | R92-1252-05 | CHIP R 0 OHM J 1/16W | M3 |
| R263 | | | RK73GB2A432J | CHIP R 4.3K J 1/10W | MM1 | W409 | | | R92-1252-05 | CHIP R 0 OHM J 1/16W | K2 |
| R263 | | | RK73GB2A432J | CHIP R 4.3K J 1/10W | M3 | W409 | | | R92-1252-05 | CHIP R 0 OHM J 1/16W | MM1 |
| R264 | | | RK73GB2A473J | CHIP R 47K J 1/10W | | W409,410 | | | R92-1252-05 | CHIP R 0 OHM J 1/16W | M3 |
| R351,352 | | | RD14BB2C222J | RD 2.2K J 1/6W | M3 | W415 | | | R92-2053-05 | CHIP R 0 J 1/8W | |
| R353 | | | RK73EB2E222J | CHIP R 2.2K J 1/4W | M3 | W500,501 | | | R92-1252-05 | CHIP R 0 OHM J 1/16W | |
| R401,402 | | | RD14BB2C100J | RD 10 J 1/6W | MM1 | W504,505 | | | R92-1252-05 | CHIP R 0 OHM J 1/16W | |
| R401,402 | | | RD14BB2C100J | RD 10 J 1/6W | M3 | W506 | | | R92-2053-05 | CHIP R 0 J 1/8W | |
| R403 | | | RD14BB2C4R7J | RD 4.7 J 1/6W | MM1 | W507 | | | R92-1252-05 | CHIP R 0 OHM J 1/16W | |
| R403 | | * | RD14BB2C4R7J | RD 4.7 J 1/6W | M3 | W508 | | | R92-2053-05 | CHIP R 0 J 1/8W | |
| R404 | | | RD14BB2C101J | RD 100 J 1/6W | MM1 | W509 | | | R92-1252-05 | CHIP R 0 OHM J 1/16W | |
| R404 | | | RD14BB2C101J | RD 100 J 1/6W | M3 | W510 | | | R92-2053-05 | CHIP R 0 J 1/8W | |
| R405-409 | | | RD14BB2C472J | RD 4.7K J 1/6W | MM1 | W511 | | | R92-1252-05 | CHIP R 0 OHM J 1/16W | K2 |
| R405-409 | | | RD14BB2C472J | RD 4.7K J 1/6W | M3 | W511 | | | R92-1252-05 | CHIP R 0 OHM J 1/16W | K4M |
| R410,411 | | | RD14BB2C101J | RD 100 J 1/6W | MM1 | W511 | | | R92-1252-05 | CHIP R 0 OHM J 1/16W | M1M2 |
| R410,411 | | | RD14BB2C101J | RD 100 J 1/6W | M3 | W511,512 | | | R92-1252-05 | CHIP R 0 OHM J 1/16W | M3 |
| R412-415 | | | RK73GB2A104J | CHIP R 100K J 1/10W | MM1 | W516 | | | R92-1252-05 | CHIP R 0 OHM J 1/16W | |
| R412-415 | | | RK73GB2A104J | CHIP R 100K J 1/10W | M3 | W517 | | | R92-2053-05 | CHIP R 0 J 1/8W | |
| R415 | | | RK73GB2A104J | CHIP R 100K J 1/10W | K2K4 | W519 | | | R92-2053-05 | CHIP R 0 J 1/8W | |
| R415 | | | RK73GB2A104J | CHIP R 100K J 1/10W | M2 | W521 | | | R92-1252-05 | CHIP R 0 OHM J 1/16W | |
| R501 | | | RK73GB2A682J | CHIP R 6.8K J 1/10W | | W523,524 | | | R92-1252-05 | CHIP R 0 OHM J 1/16W | |
| R502 | | | RK73GB2A222J | CHIP R 2.2K J 1/10W | | W530 | | | R92-2053-05 | CHIP R 0 J 1/8W | |
| R503 | | | RK73EB2E222J | CHIP R 2.2K J 1/4W | | W531,532 | | | R92-1252-05 | CHIP R 0 OHM J 1/16W | |
| R505 | | | RK73GB2A102J | CHIP R 1.0K J 1/10W | | W533 | | | R92-2053-05 | CHIP R 0 J 1/8W | |

K2 : KDC-205
M1 : KDC-2026

K4 : KDC-205CR
M2 : KDC-226

M : KDC-3026
M3 : KDC-3026R

△ Indicates safety critical components.

PARTS LIST

* New parts

Parts without **Parts No.** are not supplied.

Les articles non mentionnés dans le **Parts No.** ne sont pas fournis.

Teile ohne **Parts No.** werden nicht geliefert.

ELECTRIC UNIT (X34-3100-21/X34-3110-xx)

| Ref. No. | A d d | N e w | Parts No. | Description | Desti- nation |
|----------|-------------|-------------|-------------|----------------------|------------------|
| W534 | | | R92-1252-05 | CHIP R 0 OHM J 1/16W | |
| W578 | | | R92-1252-05 | CHIP R 0 OHM J 1/16W | M3 |
| W601 | | | R92-1252-05 | CHIP R 0 OHM J 1/16W | |
| D1 | | | 1N5393G-M6 | DIODE | |
| D3 | | | IMSA-6801 | SURGE ABSORBER | |
| D10 | | | MA4068(N)-M | ZENER DIODE | |
| D11 | | | D1F60 | DIODE | K4MM1 |
| D11 | | | D1F60 | DIODE | M2M3 |
| D12 | | | AM01ZNF | DIODE | K4MM1 |
| D12 | | | AM01ZNF | DIODE | M2M3 |
| D13 | | | D1F60 | DIODE | |
| D14 | | | AM01ZNF | DIODE | |
| D20 | | | MA4068(N)-M | ZENER DIODE | |
| D30 | | | MA4047-M | ZENER DIODE | M3 |
| D40 | | | 1SS133 | DIODE | |
| D50 | | | DAN202U | DIODE | |
| D51 | | | MA4082(N)-L | ZENER DIODE | |
| D70 | | | MA4068(N)-M | ZENER DIODE | |
| D101 | | | 1SS133 | DIODE | |
| D102 | | | B30-1567-05 | LED (1608,RED) | |
| D103 | | | DA204U | DIODE | |
| D106 | | | MA4062-L | ZENER DIODE | |
| D108 | | | MA4062-L | ZENER DIODE | K2 |
| D108 | | | MA4062-L | ZENER DIODE | K4M |
| D108,109 | | | MA4062-L | ZENER DIODE | M1M2 |
| D110 | | | UDZS12B | ZENER DIODE | M3 |
| D201,202 | | | MA4068(N)-M | ZENER DIODE | |
| D251-253 | | | 1SS133 | DIODE | |
| D261-263 | | | AM01ZNF | DIODE | K2 |
| D261-263 | | | AM01ZNF | DIODE | MM1 |
| D261-263 | | | AM01ZNF | DIODE | M3 |
| D264 | | | D1F60 | DIODE | K2 |
| D264 | | | D1F60 | DIODE | MM1 |
| D264 | | | D1F60 | DIODE | M3 |
| D264 | | | S1J | DIODE | K2 |
| D264 | | | S1J | DIODE | MM1 |
| D264 | | | S1J | DIODE | M3 |
| D265,266 | | | AM01ZNF | DIODE | K2 |
| D265,266 | | | AM01ZNF | DIODE | MM1 |
| D265,266 | | | AM01ZNF | DIODE | M3 |
| D267,268 | | | D1F60 | DIODE | K2 |
| D267,268 | | | D1F60 | DIODE | MM1 |
| D267,268 | | | D1F60 | DIODE | M3 |
| D267,268 | | | S1J | DIODE | K2 |
| D267,268 | | | S1J | DIODE | MM1 |
| D267,268 | | | S1J | DIODE | M3 |
| D401,402 | | | MA4068(N)-M | ZENER DIODE | MM1 |
| D401,402 | | | MA4068(N)-M | ZENER DIODE | M3 |
| D403-405 | | | MA4062-L | ZENER DIODE | MM1 |
| D403-405 | | | MA4062-L | ZENER DIODE | M3 |
| D407-410 | | | MA4062-L | ZENER DIODE | MM1 |
| D407-410 | | | MA4062-L | ZENER DIODE | M3 |
| D411 | | | MA3062WA | ZENER DIODE | MM1 |

| Ref. No. | A d d | N e w | Parts No. | Description | Desti- nation |
|-------------------------------------|-------------|-------------|----------------|----------------------------|------------------|
| D411 | | | MA3062WA | ZENER DIODE | M3 |
| D501 | | | RN739F | DIODE | |
| D503 | | | RN739F | DIODE | |
| D504-506 | | | KV1720S | VARIABLE CAPACITANCE DIODE | |
| IC1 | | * | UPD780058GC554 | MICROCONTROLLER IC | M3 |
| IC1 | | * | UPD780058GC555 | MICROCONTROLLER IC | K2 |
| IC1 | | * | UPD780058GC555 | MICROCONTROLLER IC | K4M |
| IC1 | | * | UPD780058GC555 | MICROCONTROLLER IC | M1M2 |
| IC4 | | | TDA7386 | ANALOGUE IC | K4M2 |
| IC4 | | | TDA7560 | ANALOGUE IC | K2 |
| IC4 | | | TDA7560 | ANALOGUE IC | MM1 |
| IC4 | | | TDA7560 | ANALOGUE IC | M3 |
| IC6 | | | TDA7479AD | ANALOGUE IC | M3 |
| IC7 | | | BA4911-V4 | ANALOGUE IC | |
| IC8 | | | HD74HC27FP-E | MOS-IC | |
| IC10 | | * | TDA7513T | ANALOGUE IC | |
| IC11 | | | PST3435UL | MOS-IC | |
| IC12 | | | BR24C01AF-W | ROM IC | |
| IC12 | | | M24C01-WMN6T | ROM IC | |
| IC12 | | | S-24CS02AFJ-TB | MEMORY IC | |
| Q10 | | | 2SC4081 | TRANSISTOR | |
| Q20 | | | 2SC4081 | TRANSISTOR | |
| Q40 | | | DTA124EUA | DIGITAL TRANSISTOR | |
| Q50 | | | 2SA1036K | TRANSISTOR | |
| Q51 | | | UMC2N | TRANSISTOR | |
| Q53 | | | UMC2N | TRANSISTOR | MM1M2 |
| Q55 | | | 2SD2375 | TRANSISTOR | |
| Q70 | | | 2SC4081 | TRANSISTOR | |
| Q101 | | | 2SC4081 | TRANSISTOR | |
| Q102 | | | DTA114YUA | DIGITAL TRANSISTOR | |
| Q201 | | | 2SC4081 | TRANSISTOR | M3 |
| Q223,224 | | | DTC143TUA | DIGITAL TRANSISTOR | |
| Q251 | | | DTC114YUA | DIGITAL TRANSISTOR | K4M2 |
| Q252 | | | UMG4N | TRANSISTOR | M3 |
| Q253 | | | UMA1N | TRANSISTOR | M3 |
| Q501 | | | CPH5905 | TRANSISTOR | |
| Q502 | | | 3SK126 | DUAL FET | |
| Q503 | | | 2SC4081 | TRANSISTOR | M3 |
| TH1 | | * | PRF21BE471QB2 | POSITIVE RESISTOR | |
| DAUGHTER UNIT (X89-2590-10) | | | | | |
| C221,222 | | | C90-5574-05 | ELECTRO 10UF 16WV | M |
| CN90 | | | E40-3238-05 | PIN ASSY | M |
| CN91 | | | E40-3249-05 | PIN ASSY | M |
| W101,102 | | | E31-0001-00 | JUMPER WIRE | M |
| R221,222 | | | RK73GB2A271J | CHIP R 270 J 1/10W | M |
| R225,226 | | | RK73GB2A303J | CHIP R 30K J 1/10W | M |
| R229,230 | | | RD14BB2C101J | RD 100 J 1/6W | M |
| Q221,222 | | | DTC143TUA | DIGITAL TRANSISTOR | M |
| Q225 | | | DTA124EUA | DIGITAL TRANSISTOR | M |
| MECHANISM ASSY (X92-4840-00) | | | | | |
| 2 | 1B | | A10-4827-22 | CHASSIS | |
| 5 | 1B | * | D10-4576-63 | ARM ASS'Y | |

K2 : KDC-205
M1 : KDC-2026

K4 : KDC-205CR
M2 : KDC-226

M : KDC-3026
M3 : KDC-3026R

△ Indicates safety critical components.

PARTS LIST

* New parts

Parts without **Parts No.** are not supplied.

Les articles non mentionnés dans le **Parts No.** ne sont pas fournis.

Teile ohne **Parts No.** werden nicht geliefert.

MECHANISM ASSY (X92-4840-00)

| Ref. No. | A d d | N e w | Parts No. | Description | Desti- nation | Ref. No. | A d d | N e w | Parts No. | Description | Desti- nation |
|----------|-------------|-------------|-------------|-------------------------|------------------|----------|-------------|-------------|-----------|-------------|------------------|
| 8 | 2A | | D10-4579-13 | LEVER ASS'Y | | | | | | | |
| 10 | 3A | | D10-4581-13 | ARM | | | | | | | |
| 11 | 2A | | D10-4582-13 | ARM | | | | | | | |
| 12 | 3A | | D10-4583-03 | ARM | | | | | | | |
| 13 | 3A | | D10-4584-03 | ARM | | | | | | | |
| 14 | 3B | | D10-4585-03 | ARM | | | | | | | |
| 15 | 2A | | D10-4586-13 | SLIDER | | | | | | | |
| 16 | 3B | | D10-4587-32 | SLIDER | | | | | | | |
| 17 | 3B | | D10-4588-13 | SLIDER | | | | | | | |
| 18 | 3B | | D10-4595-04 | ARM | | | | | | | |
| 19 | 3B | | D10-4596-14 | ARM | | | | | | | |
| 22 | 2A | | D13-2151-04 | GEAR | | | | | | | |
| 23 | 2B | | D13-2152-04 | GEAR | | | | | | | |
| 24 | 3B | | D13-2153-04 | GEAR | | | | | | | |
| 25 | 3B | | D13-2154-04 | GEAR | | | | | | | |
| 26 | 3B | | D13-2155-04 | WORM | | | | | | | |
| 27 | 3B | | D13-2156-14 | GEAR | | | | | | | |
| 28 | 3B | | D13-2157-04 | GEAR | | | | | | | |
| 29 | 3B | | D13-2158-04 | GEAR | | | | | | | |
| 30 | 3B | | D13-2168-04 | GEAR | | | | | | | |
| 31 | 3B | | D13-2171-04 | GEAR | | | | | | | |
| 32 | 2B | | D13-2172-03 | RACK (GEAR) | | | | | | | |
| 33 | 2A | | D14-0759-04 | ROLLER | | | | | | | |
| 35 | 2B | | D21-2382-04 | SHAFT | | | | | | | |
| 36 | 1A | | D23-0954-04 | RETAINER | | | | | | | |
| 37 | 1B | | D39-0246-05 | DAMPER | | | | | | | |
| 38 | 2B | | G01-3072-04 | EXTENSION SPRING | | | | | | | |
| 39 | 2A | | G01-3073-04 | TORSION COIL SPRING | | | | | | | |
| 40 | 2A | | G01-3074-04 | EXTENSION SPRING | | | | | | | |
| 41 | 1B | | G01-3075-14 | EXTENSION SPRING | | | | | | | |
| 42 | 2A | | G01-3076-04 | EXTENSION SPRING | | | | | | | |
| 43 | 1B | | G01-3077-14 | EXTENSION SPRING | | | | | | | |
| 44 | 2B | | G02-1399-04 | FLAT SPRING | | | | | | | |
| 45 | 2B | | G02-1408-04 | FLAT SPRING | | | | | | | |
| 51 | 1A | | J21-9676-22 | MOUNTING HARDWARE | | | | | | | |
| 52 | 3B | | J21-9677-12 | MOUNTING HARDWARE | | | | | | | |
| 53 | 1B | | J21-9678-13 | MOUNTING HARDWARE | | | | | | | |
| 55 | 1A | | J90-1001-11 | GUIDE | | | | | | | |
| 56 | 1B | | J90-1023-03 | GUIDE | | | | | | | |
| DFPC1 | 3A | | J84-0141-05 | FLAT CABLE (16PIN) | | | | | | | |
| A | 2B | | N09-4460-05 | TAPTITE SCREW | | | | | | | |
| B | 1B | | N09-4472-15 | MACHINE SCREW | | | | | | | |
| C | 2B | | N09-6004-05 | MACHINE SCREW | | | | | | | |
| E | 2B | | N09-6007-05 | MACHINE SCREW | | | | | | | |
| F | 1A | | N09-6051-05 | TAPTITE SCREW | | | | | | | |
| G | 2A | | N19-2163-04 | FLAT WASHER | | | | | | | |
| H | 1B | | N39-2020-46 | PAN HEAD MACHIN SCREW | | | | | | | |
| J | 1B | | N09-6108-05 | MACHINE SCREW | | | | | | | |
| DM1 | 3B | | T42-1066-04 | DC MOTOR ASSY (SPINDLE) | | | | | | | |
| DM2 | 3B | | T42-1067-04 | DC MOTOR ASSY (LOADING) | | | | | | | |
| DPU1 | 2B | | X93-2010-00 | OPTICAL PICKUP ASS'Y | | | | | | | |

K2 : KDC-205
M1 : KDC-2026

K4 : KDC-205CR
M2 : KDC-226

M : KDC-3026
M3 : KDC-3026R

△ Indicates safety critical components.

